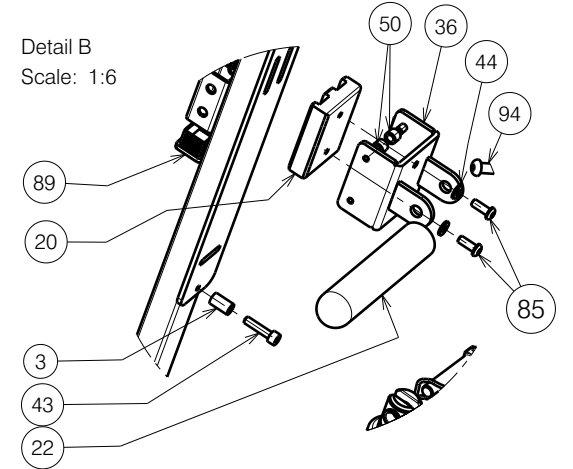
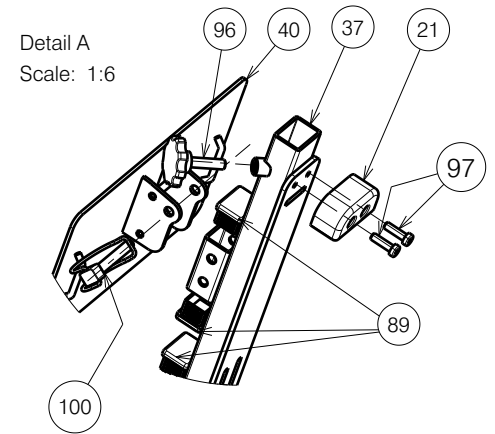
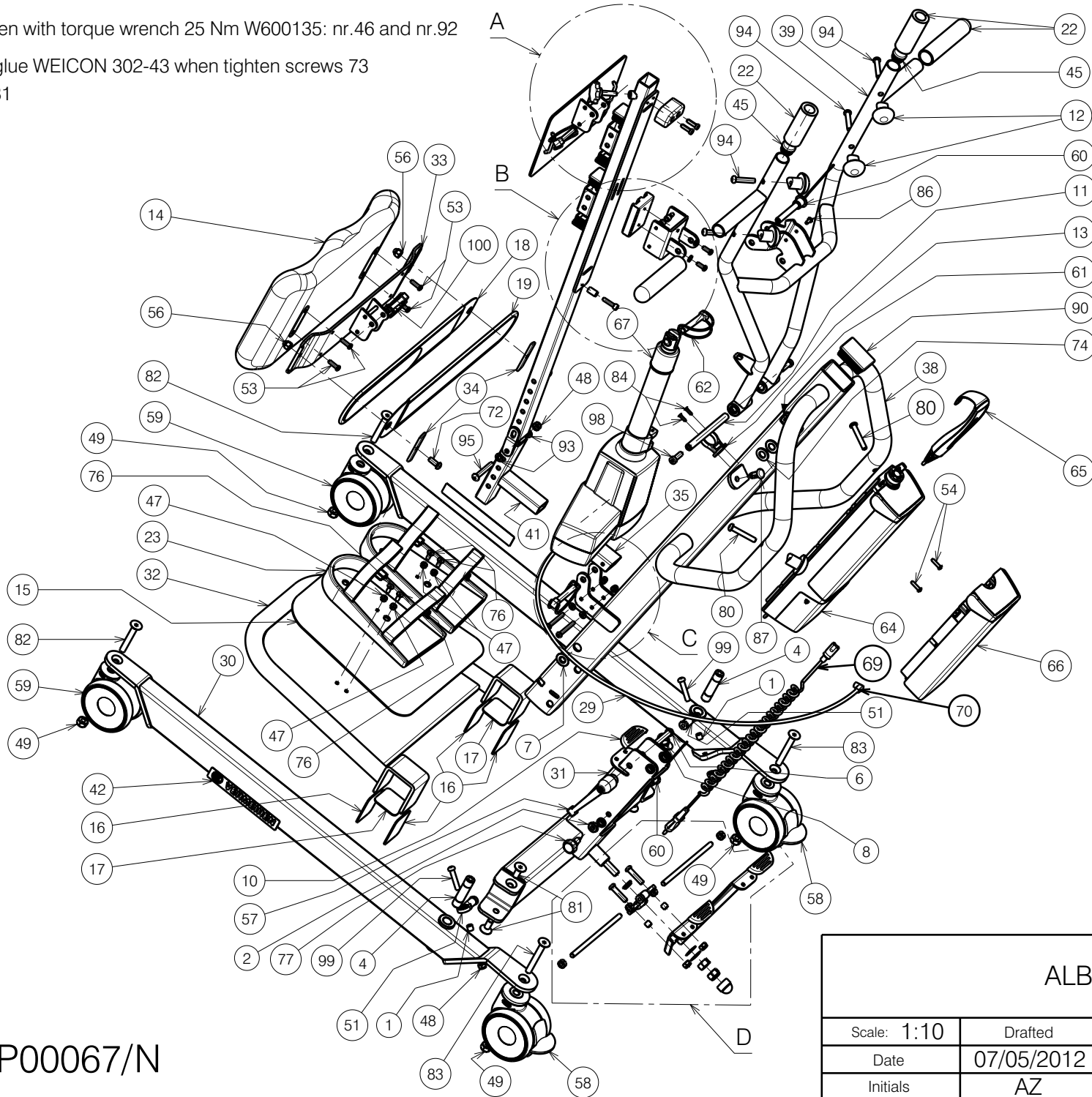


Tighten with torque wrench 25 Nm W600135: nr.46 and nr.92

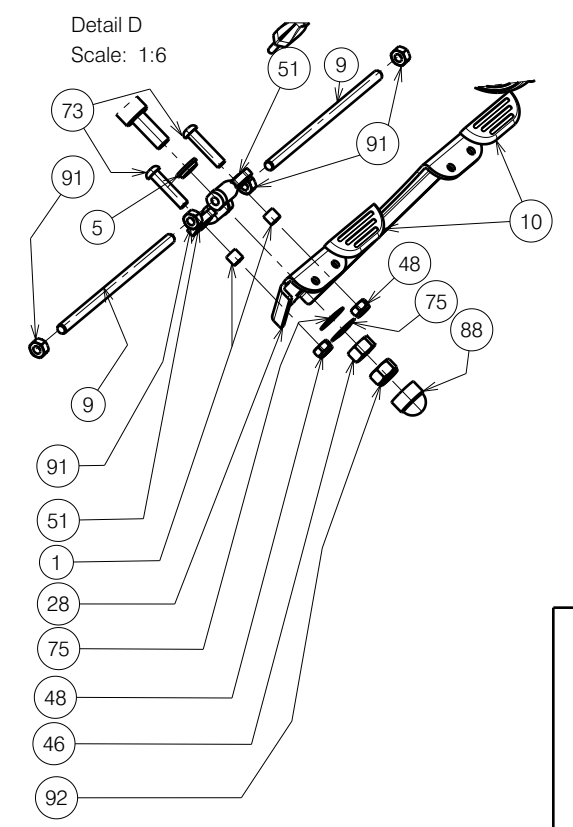
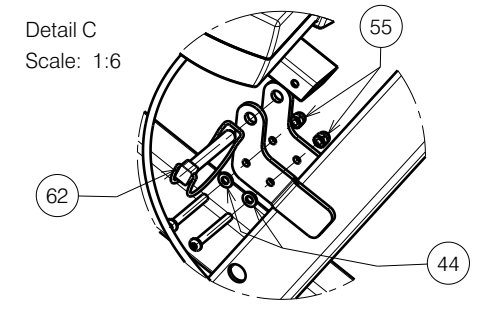
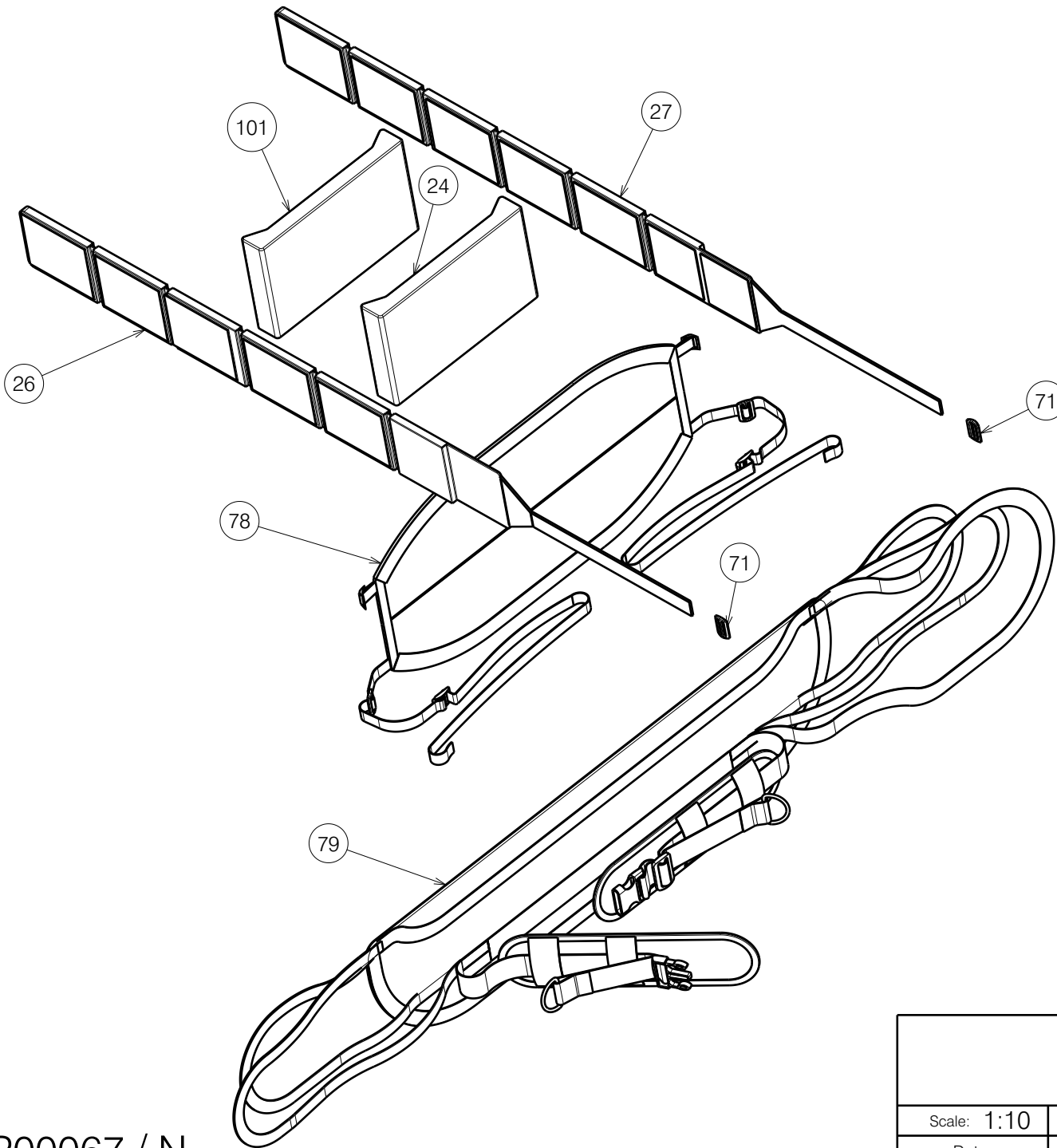
Use glue WEICON 302-43 when tighten screws 73 and 81



EP00067/N

8002108

ALBATROS 2				Plan No.
1/3				EP00067/N
Scale: 1:10	Drafted	Verified	Confirmed	
Date	07/05/2012	14/07/2022	14/07/2022	
Initials	AZ	SD	PJ	



EP00067 / N

8002108

ALBATROS 2				Plan No.
2/3				EP00067 / N
Scale: 1:10	Drafted	Verified	Confirmed	
Date	07/05/2012	14/07/2022	14/07/2022	
Initials	AZ	SD	PJ	

Material			
No.	Plan	Article	Quantity
1	X001029	13755	4
2	X001398	1009689	1
3	X003802	1900373	1
4	X004260	17086	2
5	X004288	1903587	1
6	X004338	17087	1
7	X004341	17088	2
8	X004353	1903588	1
9	X004408	17115	2
10	X004580	1904798	3
11	X004603	17347	1
12	X004605	1905610	6
13	X004611	1904945	1
14	X004630	1905252	1
15	X004647	1905718	1
16	X004704	1905720	4
17	X004705	1905721	2
18	X004717	1905722	1
19	X004718	1905723	1
20	XP00901	2992476	1
21	XP00902	28331	1
22	---	1990766	4
23	XP01288	2992331	2
24	XP00917	2991600	1
26	XP00919	2991603	1
27	XP00920	2991604	1
28	Y014399	17066	1
29	Y014535	17067	1
30	Y014536	17068	1
31	Y014537	17069	1
32	Y016061	17352	1
33	Y016137	17326	1
34	Y017221	17434	2
35	YP03600	28323	1


Material			
No.	Plan	Article	Quantity
36	YP03604	28324	1
37	YP03610	28325	1
38	P00040743	20829..	1
39	YP03622	28330	1
40	YP03626	28327	1
41	YP03646	28328	1
42	---	T001052	2
43	M6x25	1001494	1
44	D6	1001564	4
45	---	1001608	2
46	M12	1001673	1
47	M6	1001680	4
48	M8	1001682	5
49	M10	1001683	4
50	---	1004550	4
51	---	1006835	4
52	M6x50	1006997	2
53	M6x20	1006999	4
54	M5x20	1998368	2
55	M6	1008492	2
56	M8	1902024	2
57	M10x23	1903086	1
58	---	1903402	2
59	---	1903403	2
60	---	1903578	2
61	--	1904556	1
62	D10x50	1998885	2
63	M8x50	1905369	1
64	CAL40	1918030	1
65	HB30	1918031	1
66	BAL40	1918029	1
67	7.5 kN	1918033	1
68*	---	1918034	1
69	---	1906233	1
70	---	1918032	1

Material			
No.	Plan	Article	Quantity
71	---	1991236	2
72	M8x20	1992349	1
73	M8x35	1993236	2
74	D13	1993362	2
75	---	1993500	2
76	M6x16	1994752	2
77	---	1999935	4
78	---	2991605	1
79	---	2991627	1
80	M8x50	1902483	2
81	M10x25	1903589	4
82	M10x70	1903406	2
83	M10x80	1905617	2
84	Rivet4x14	1001584	2
85	M6x16	1008459	2
86	4.8x12	1001585	1
87	---	1009583	1
88	---	1003294	1
89	---	1902851	4
90	---	1905096	1
91	M8	1001671	4
92	M12	1001684	1
93	D8,7	1001556	2
94	M8x40	1008739	4
95	M8x55	1995854	1
96	M8x30	1008851	1
97	M6x20	1904811	2
98	M8x25	1003944	2
99	M8x45	1994473	2
100	D8x50	1905609	2
101	---	2993737	1

8002108

EP00067 / N

* Not depicted - optional charger

ALBATROS 2				Plan No.
3/3				EP00067 / N
Scale: 1:10	Drafted	Verified	Confirmed	
Date	07/05/2012	14/07/2022	14/07/2022	
Initials	AZ	SD	PJ	