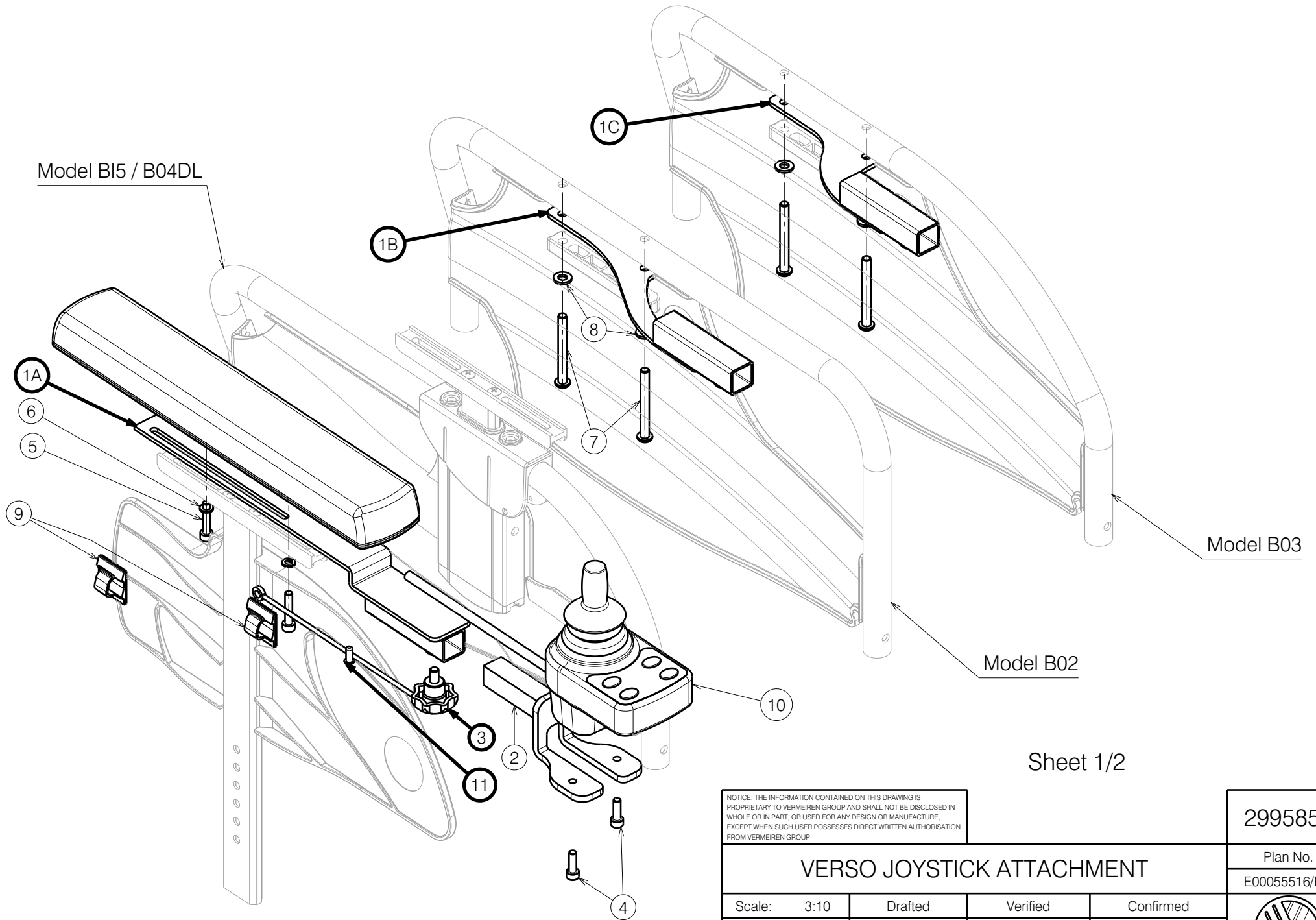


Model BI5 / B04DL



Sheet 1/2

NOTICE: THE INFORMATION CONTAINED ON THIS DRAWING IS PROPRIETARY TO VERMEIREN GROUP AND SHALL NOT BE DISCLOSED IN WHOLE OR IN PART, OR USED FOR ANY DESIGN OR MANUFACTURE, EXCEPT WHEN SUCH USER POSSESSES DIRECT WRITTEN AUTHORISATION FROM VERMEIREN GROUP.

2995851

Plan No.

E00055516/E.1

### VERSO JOYSTICK ATTACHMENT

Scale:	3:10	Drafted	Verified	Confirmed
Date	21/03/2023	26/11/2024	26/11/2024	
Initials	SD	DR	AZ	



Bill of Material			
No.	Plan	Article	Quantity
1A	P00041366	2085254	1
1B	P00052568	2086154 (L)	1
	P00052565	2085954 (R)	1
1C	P00053065	2086054 (L)	1
	P00041364	2085354 (R)	1
2	P00052550	2085754	1
3	Star knob M6	2999405	1
4	M5x16 DIN912	1915415	2
5*	M5x25 DIN912	2994906	2
6*	M5 DIN127	2995288	2
7**	M6x55 ISO7380	2994376	2
8**	M6 DIN125	2994373	2
9	---	1919578	2
10	Controller	1919239	1
11	Rivet	1990752	1

1A Model BI5 / B04DL

1B Model B02

1C Model B03


\* for BI5

\*\* for B02 / B03

Sheet 2/2

NOTICE: THE INFORMATION CONTAINED ON THIS DRAWING IS PROPRIETARY TO VERMEIREN GROUP AND SHALL NOT BE DISCLOSED IN WHOLE OR IN PART, OR USED FOR ANY DESIGN OR MANUFACTURE, EXCEPT WHEN SUCH USER POSSESSES DIRECT WRITTEN AUTHORISATION FROM VERMEIREN GROUP.

2995851

<b>VERSO JOYSTICK ATTACHMENT</b>				Plan No.
				E00055516/E.1
Scale: 3:10	Drafted	Verified	Confirmed	
Date	21/03/2023	26/11/2024	26/11/2024	
Initials	SD	DR	AZ	