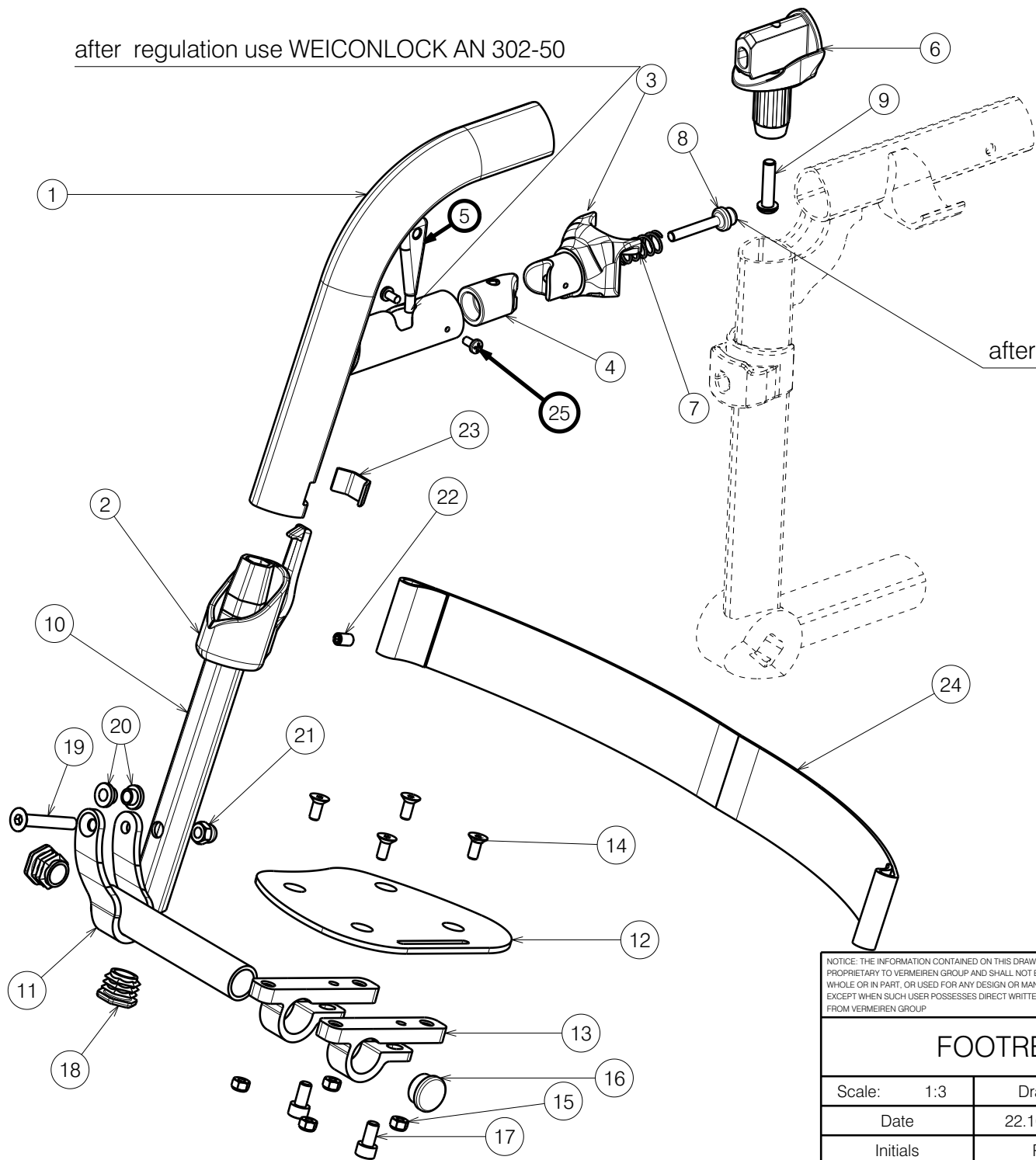


after regulation use WEICONLOCK AN 302-50



after regulation use WEICONLOCK AN 302-50

Only to a depth of 32-36 .  
For depths of 38-50 use EP00250

NOTICE: THE INFORMATION CONTAINED ON THIS DRAWING IS PROPRIETARY TO VERMEIREN GROUP AND SHALL NOT BE DISCLOSED IN WHOLE OR IN PART, OR USED FOR ANY DESIGN OR MANUFACTURE, EXCEPT WHEN SUCH USER POSSESSES DIRECT WRITTEN AUTHORISATION FROM VERMEIREN GROUP.

<b>FOOTREST B06 TRIGO 30-36</b>			
Scale:	1:3	Drafted	Verified
Date	22.10.2018	22.01.2026	22.01.2026
Initials	PM	PM	AS

Plan No.	---
EP00352/L	

Material			
No.	Plan	Article	Quantity
1	YP06178	27291... (70)	1
	YP06291	27998... (80)	1
	YP06182	27292... (90)	1
2	XP01542	2993471	1
3	XP01546	2993452	1
4	XP01565	2993472	1
5	XP02030	GP14499	1
6	XP01512	2993454	1
7	XP01628	GP09100	1
8	XP01523	GP08000	1
9	M6x25	2994062	1
10	YP06246 (Short)	2796026	1
	YP09022 (Long)	2631626	1
11	YP06229 (R)	2796365 (30-32)	1
	YP06126 (L)	2729965 (30-32)	1
	YP06254 (R)	2796665 (34-36)	1
	YP06893 (L)	2765665 (34-36)	1
12	YP06231 (R)	2796454 (30-32)	1
	YP06232 (L)	2796554 (30-32)	1
	YP06256 (R)	2796754 (34-36)	1
	YP06257 (L)	2796854 (34-36)	1
13	XP01504	GP07699	2
14	M5x12 DIN7991	2994076	4
15	Nut M5	2994006	4
16	Tube Cap $\phi$ 19	1001602	1
17	M6x12 DIN912	2994005	2
18	X004774	1906056	2
19	M6x40 DIN7991	2994123	1
20	XP01127	2990164	2
21	Closed Nut M6	2994059	1
22	M6x12 DIN916	1005949	1
23	Y016501	1733500	1
24	Belt	2994200	1
25	M3.9x9.5	2992349	2


Only to a depth of 32-36 .

For depths of 38-50 use EP00250

NOTICE: THE INFORMATION CONTAINED ON THIS DRAWING IS PROPRIETARY TO VERMEIREN GROUP AND SHALL NOT BE DISCLOSED IN WHOLE OR IN PART, OR USED FOR ANY DESIGN OR MANUFACTURE, EXCEPT WHEN SUCH USER POSSESSES DIRECT WRITTEN AUTHORISATION FROM VERMEIREN GROUP.

Page 2/2

---

FOOTREST B06 TRIGO 30-36				Plan No. EP00352/L
Scale: 1:3	Drafted	Verified	Confirmed	
Date	22.10.2018	22.01.2026	22.01.2026	
Initials	PM	PM	AS	