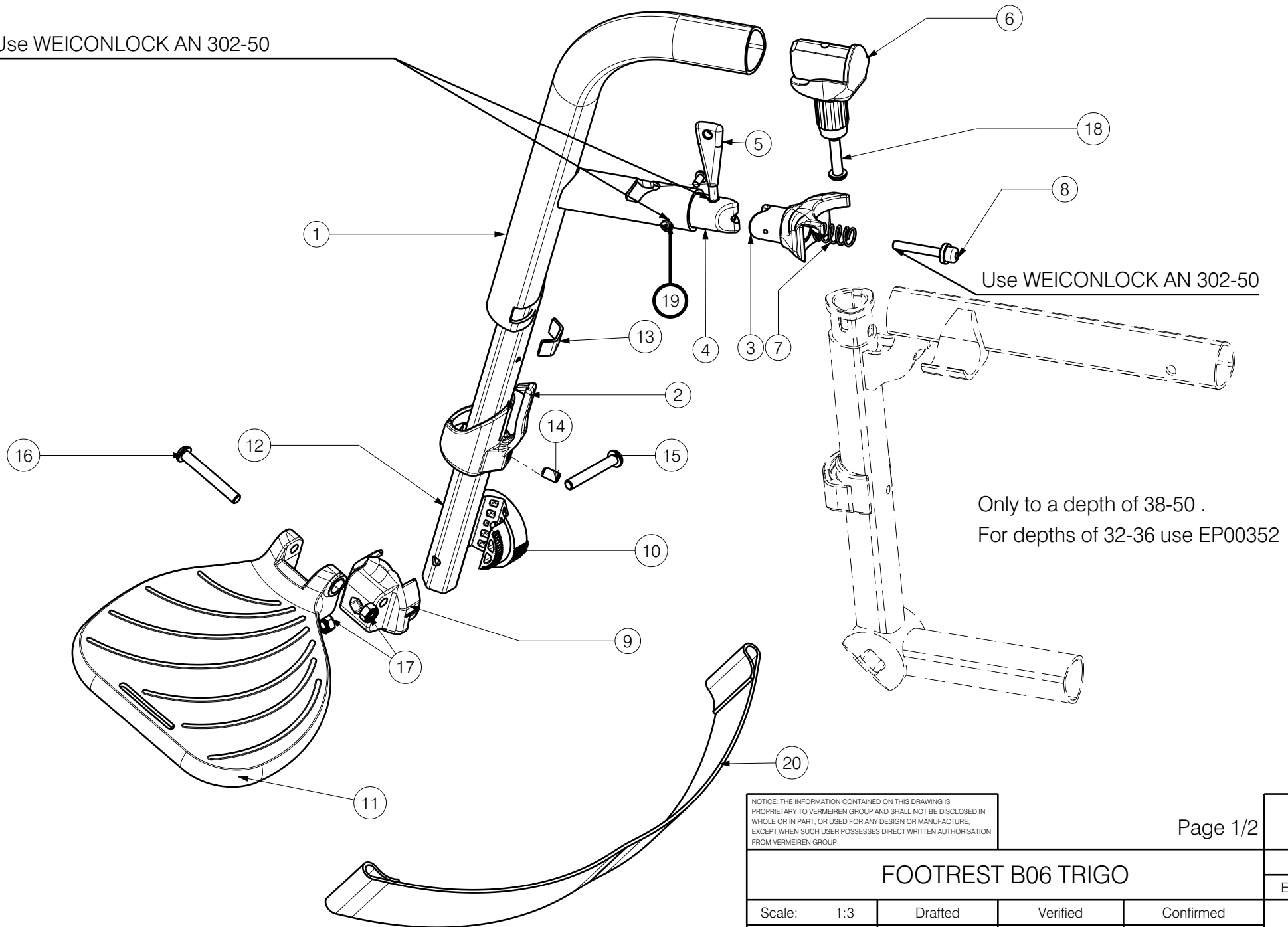


Use WEICONLOCK AN 302-50

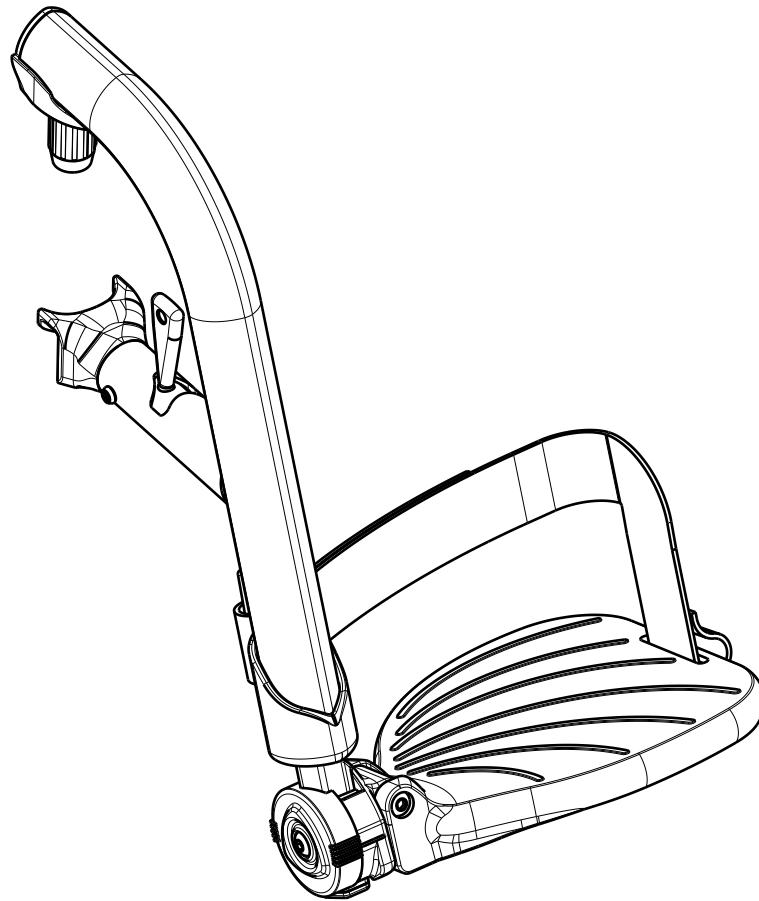


NOTICE: THE INFORMATION CONTAINED ON THIS DRAWING IS PROPRIETARY TO VERMEIREN GROUP AND SHALL NOT BE DISCLOSED IN WHOLE OR IN PART, OR USED FOR ANY DESIGN OR MANUFACTURE, EXCEPT WHEN SUCH USER POSSESSES DIRECT WRITTEN AUTHORISATION FROM VERMEIREN GROUP.

FOOTREST B06 TRIGO

Scale:	1:3	Drafted	Verified	Confirmed
Date	23.10.2017	22.01.2026	22.01.2026	
Initials	AS	PM	AS	





Material				
No.	Plan	Article	Quantity	
1	YP05383	27122..(70)	1	
	YP05531	27137..(80)	1	
	YP05536	27138..(90)	1	
2	XP01542	2993471	1	
3	XP01546	2993452	1	
4	XP01565	2993472	1	
5	XP02030	GP14499	1	
6	XP01512	2993454	1	
7	XP01628	GP09100	1	
8	XP01523	GP08000	1	
9	XP02026	2993662	1	
10	XP02025	2993661	1	
11	XP01655(L)	2993501(38-40)	1	
	XP01656(R)	2993502(38-40)	1	
	XP01639(L)	2993475(42-44)	1	
	XP01640(R)	2993476(42-44)	1	
	XP01644(L)	2993480(46-48)	1	
	XP01643(R)	2993479(46-48)	1	
	XP01641(L)	2993477(50)	1	
	XP01642(R)	2993478(50)	1	
	12	YP06404	2730199	1
	13	Y016501	1733500	1
14	M6x12 DIN916	1005949	1	
15	M6x40 DIN912	2994066	1	
16	M6X45	2994086	1	
17	M6	2994063	2	
18	M6X25	2994062	1	
19	Screw 3.9x9.5	2992349	2	
20	Belt	2994199	1	

Only to a depth of 38-50 .
 For depths of 32-36 use EP00352

NOTICE: THE INFORMATION CONTAINED ON THIS DRAWING IS PROPRIETARY TO VERMEIREN GROUP AND SHALL NOT BE DISCLOSED IN WHOLE OR IN PART, OR USED FOR ANY DESIGN OR MANUFACTURE, EXCEPT WHEN SUCH USER POSSESSES DIRECT WRITTEN AUTHORISATION FROM VERMEIREN GROUP.

FOOTREST B06 TRIGO

Plan No.

EP00250/F1.1

Scale:	1:3	Drafted	Verified	Confirmed
Date	23.10.2017	22.01.2026	22.01.2026	
Initials	AS	PM	AS	

