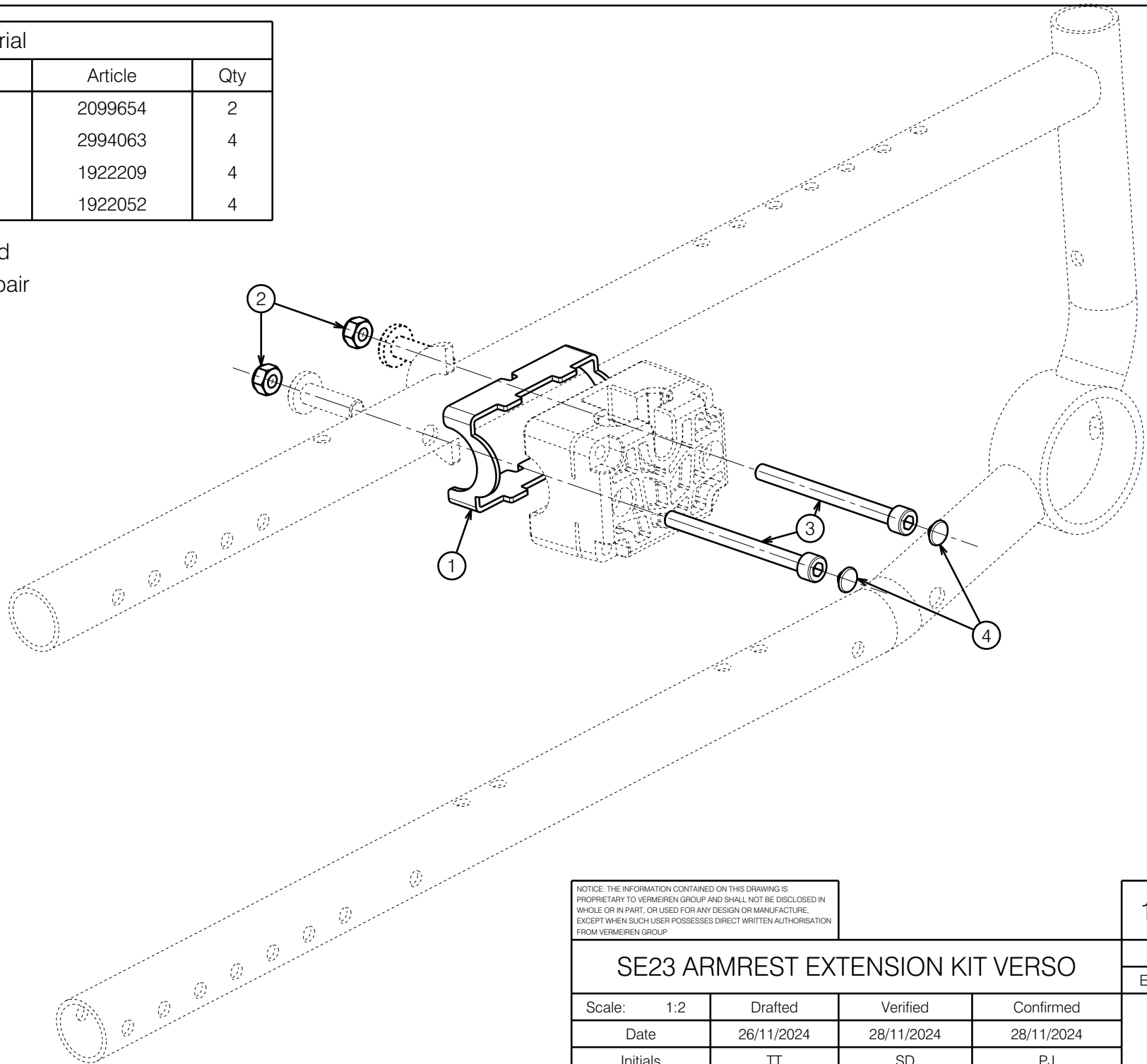


Material			
No.	Plan	Article	Qty
1	P00090065	2099654	2
2	M6 DIN985	2994063	4
3	M6x70 DIN912	1922209	4
4	COVER	1922052	4

- * Only right side depicted
- * Quantities are for one pair



NOTICE: THE INFORMATION CONTAINED ON THIS DRAWING IS PROPRIETARY TO VERMEIREN GROUP AND SHALL NOT BE DISCLOSED IN WHOLE OR IN PART, OR USED FOR ANY DESIGN OR MANUFACTURE, EXCEPT WHEN SUCH USER POSSESSES DIRECT WRITTEN AUTHORISATION FROM VERMEIREN GROUP.

1922043

SE23 ARMREST EXTENSION KIT VERSO

Plan No.

E00093611/B.1

Scale:	1:2	Drafted	Verified	Confirmed
Date	26/11/2024	28/11/2024	28/11/2024	
Initials	TT	SD	PJ	

