
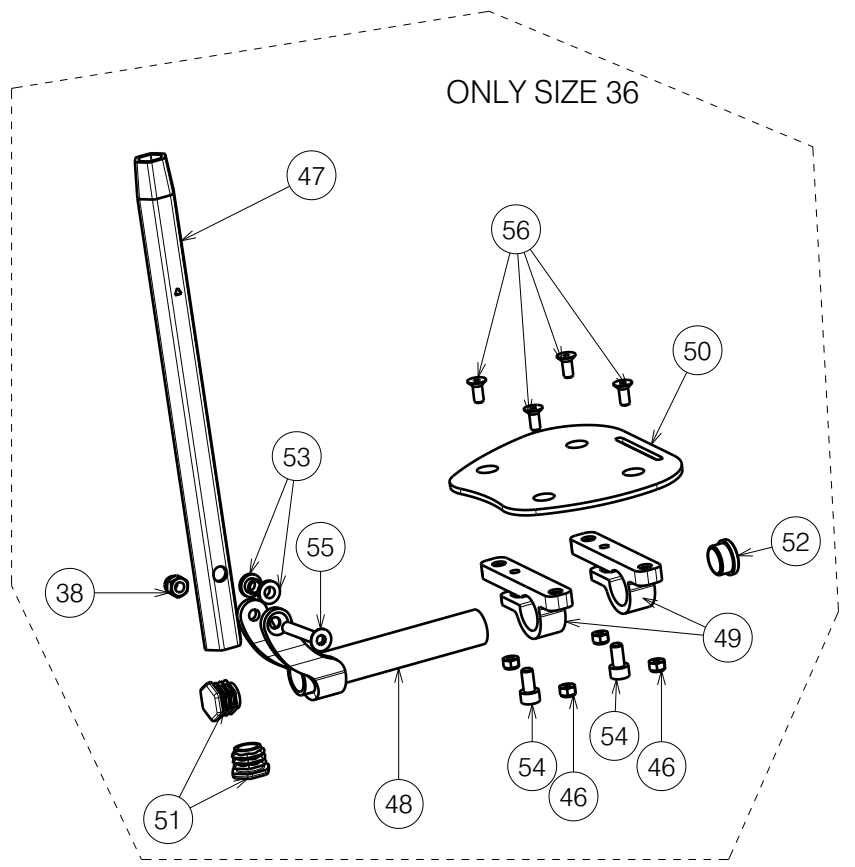
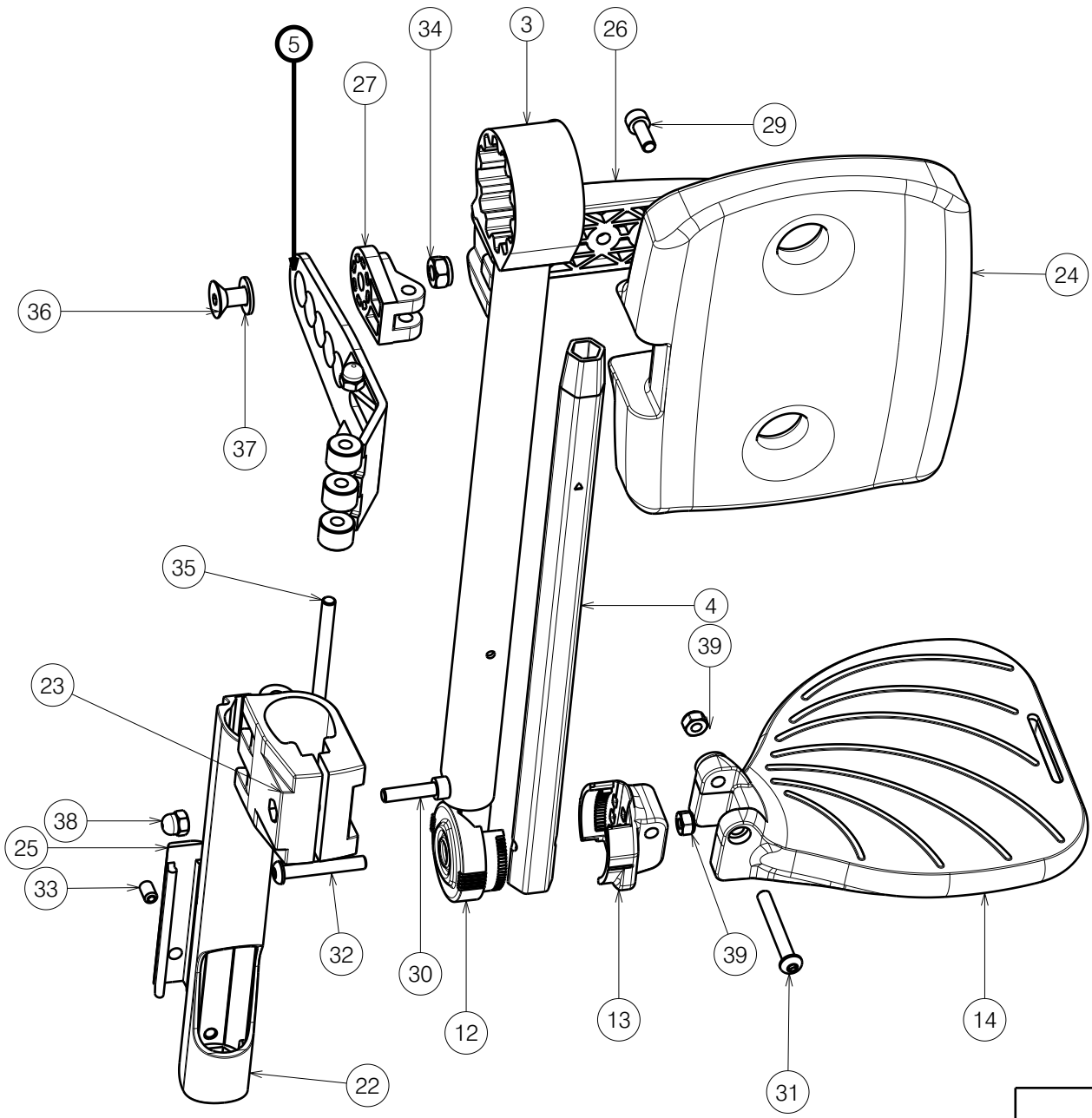


Only to a depth of 36-50 .  
 For depths of 32-(36 short) use EP00595

EP00538 / H

TRIGO LEGREST BZ8			Page 1/3	Plan No. EP00538/ H
Scale: 1:2	Drafted	Verified	Confirmed	
Date	27/11/2020	05/05/2023	05/04/2023	
Initials	AS	PM	AS	



Isometric view  
Scale: 1:4

Only to a depth of 36-50 .  
For depths of 32-(36 short) use EP00595

EP00538 / H

TRIGO LEGREST BZ8				Plan No.
Page 2/3				EP00538/ H
Scale: 1:2	Drafted	Verified	Confirmed	
Date	27/11/2020	05/05/2023	05/04/2023	
Initials	AS	PM	AS	

Material			
No.	Plan	Article	Quantity
1	YP08504(R)	2618354	1
	YP08505(L)	2618454	1
2	YP08517(R)	2618654	1
	YP08518(L)	2618754	1
3	Y018568	1771754	1
4	Y016499	F006269	1
5	YP09190	2638054	1
6	XP01512	2993454	1
7	XP02030	GP14499	1
8	XP01628	GP09100	1
9	XP01546	2993452	1
10	XP01523	GP08000	1
11	XP03096	2996674	1
12	XP02025	2993661	1
13	XP02026	2993662	1
14	XP01655(L)	2993501(38-40)	1
	XP01656(R)	2993502(38-40)	1
	XP01639(L)	2993475(42-44)	1
	XP01640(R)	2993476(42-44)	1
	XP01644(L)	2993480(46-48)	1
	XP01643(R)	2993479(46-48)	1
	XP01641(L)	2993477(50)	1
	XP01642(R)	2993478(50)	1
15	X004690	1905735	1
16	X005880	1915832	2
17	X005047	1908420	1
18	X005055	1917169	1
19	X004713	1905734	1
20	X005028	G103900	1
21	X004423	1717300	1
22	X004666	1905731	1
23	X004739	1905739	1


Material			
No.	Plan	Article	Quantity
24	X004785	1905949 (36-40)	1
	X004733	1905733 (42-50)	1
25	X004658	1904968	1
26	X004784	1905950	1
27	X004787	1905947	1
28	M6x25	2994062	1
29	M6x16 DIN912	1001492	2
30	M6x25	1001494	1
31	M6x45	2994086	1
32	M6x40	2994066	1
33	M6x12	1005949	1
34	M8	1001682	1
35	M6X65	1991860	1
36	M8X16	1916193	1
37	Ø4x24DIN6325	G0409	1
38	M6	1008492	1/2*
39	M6	2994063	1
40	M5x10	1999977	2
41	Rivet D4x14	1001584	4
42	ScrewD3.5X9.5	2994075	2
43	Cup D25	1001608	1
44	X005884	G103800	1
45	X004795	1905970	2
46	M5	1001679	1/5*

\*for size 36

Material			
No.	Plan	Article	Quantity
47	YP09022	2631626	1
48	YP06254 (R)	2796665 (36)	1
	YP06893 (L)	2765665 (36)	1
49	XP01504	GP07699	2
50	YP06256 (R)	2796754 (36)	1
	YP06257 (L)	2796854 (36)	1
51	X004774	1906056	2
52	Cap D19	1001602	1
53	XP01127	2990164	2
54	M6x12 DIN912	2994005	2
55	M6x40 DIN7991	2994123	1
56	M5x12 DIN7991	2994076	4

Only to a depth of 36-50 .

For depths of 32-(36 short) use EP00595

TRIGO LEGREST BZ8				Plan No.
Page 3/3				EP00538/ H
Scale: 1:2	Drafted	Verified	Confirmed	
Date	27/11/2020	05/05/2023	05/04/2023	
Initials	AS	PM	AS	

EP00538 / H