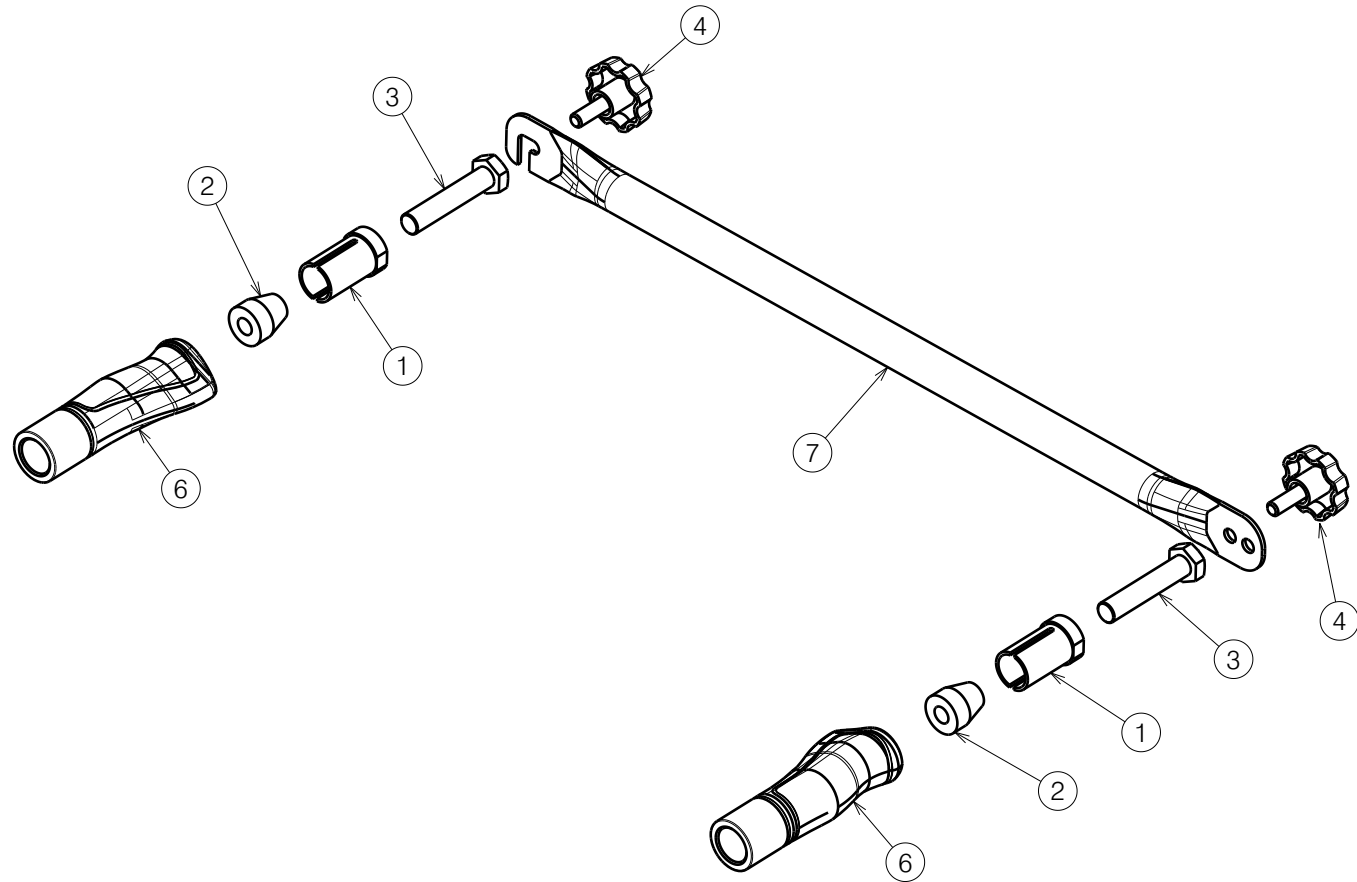


Material			
No.	Plan	Article	Quantity
1	X002532	1528800 (1)	2
	X002528	1528400 (3)	2
	X004922	1758400 (4)	2
	X002530	1528600 (5)	2
2	X002533	1528900 (1)	2
	X002529	1528500 (3)	2
	X004923	1758500 (4)	2
	X002531	1528700 (5)	2
3	X002527	1528300	2
4	M8x20	1001580	2
6	Y024007	F006491 (*)	2
	Y024006	F002907 (**)	2
7	Y020155	1791654 (38)	1
	Y004761	1521754 (39)	1
	Y020156	1791754 (40)	1
	Y004762	1521854 (42)	1
	Y004763	1521954 (44)	1
	Y004764	1522054 (46)	1
	Y004765	1522154 (48)	1
	Y004766	1522254 (50)	1
	Y020157	1791854 (52)	1



SUPPORTED MODELS


- (1) V100 / Jazz S50 (tube $\Phi 25.4 \times 1.2$)
- (3) V200 / V300 / V500 / Eclips+ / Eclips X4 / D200 Split (tube $\Phi 22 \times 3 - \Phi 22 \times 2$)
- (4) V200D / V300D / D400 / V500DL / Verso (tube $\Phi 25.4 \times 1.5$)
- (5) 708D / Express / D100 / D200 (tube $\Phi 22.2 \times 1.2$)

(*) V100 / V200D / V300D / D400 / Jazz S50 / V500DL / Verso (tube $\Phi 25.4$)

(**) V100D / V200 / V300 / V500 / D100 / D200 /

Eclips+ / Eclips X4 / 708D / Express / D200 Split (tube $\Phi 22 - \Phi 22.2$)

E000734 / F

B90 UNIVERSAL PUSH BAR B90 UNIVERSELE DUWBEUGEL				Plan No.
				E000734 / F
Scale: 1:4	Drafted	Verified	Confirmed	
Date	10/06/2011	05/11/2024	05/11/2024	
Initials	SD	SD	PJ	