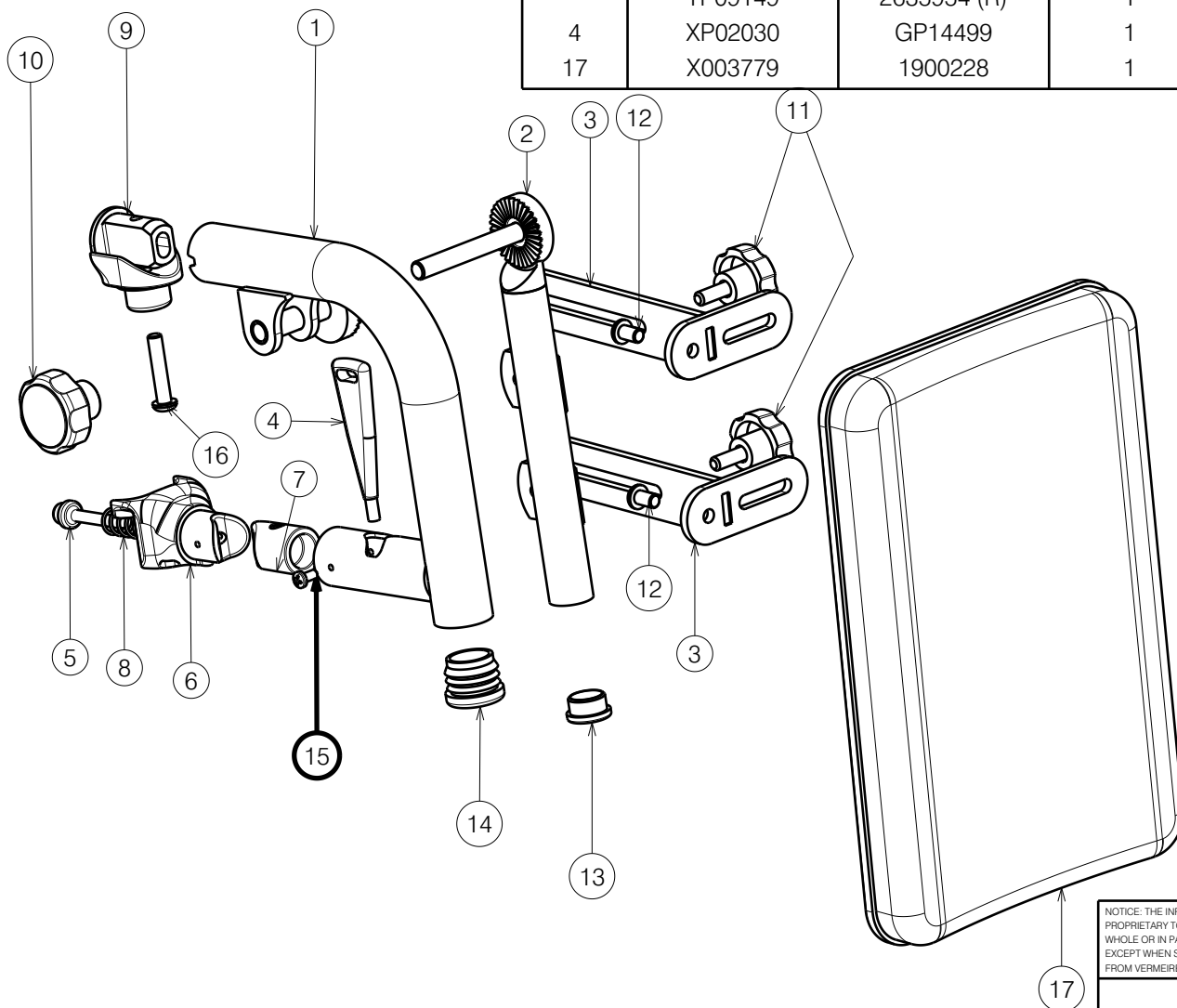


Bill of Material			
No.	Plan	Article	Quantity
1	YP09133	2635754 (R)	1
	YP09137	2635754(L)	1
2	YP09139	2636345 (L)	1
	YP09149	2635954 (R)	1
4	XP02030	GP14499	1
17	X003779	1900228	1

Material			
No.	Plan	Article	Quantity
1	YP08525	2624454 (R)	1
	YP08526	2624545 (L)	1
2	YP08093	2607345 (L)	1
	YP08094	2607445 (R)	1
3	YP08095	2607554	4
4	XP01513	GP08699	2
5	XP01523	GP08000	2
6	XP01546	2993452	2
7	XP01565	2993472	2
8	XP01628	GP09100	2
9	XP03098	2996719	2
10	Plastic Head Ø35	1998550	2
11	M6x15	1001577	4
12	M6x10	1900641	4
13	Tube cap Ø19	1001602	2
14	Tube cap Ø25,4	1001608	2
15	SCREW D3.9X9.5	2992349	4
16	M6x30	1009588	2
	Plate small(36-42)	1002163	2
17	Plate large(44-50)	1002158	2



Right side only depicted, quantities are for 1 pair

NOTICE: THE INFORMATION CONTAINED ON THIS DRAWING IS PROPRIETARY TO VERMEIREN GROUP AND SHALL NOT BE DISCLOSED IN WHOLE OR IN PART, OR USED FOR ANY DESIGN OR MANUFACTURE, EXCEPT WHEN SUCH USER POSSESSES DIRECT WRITTEN AUTHORISATION FROM VERMEIREN GROUP.

BK7/BL7 Trigo				---
				Plan No. EP00545/D
Scale: 1:4	Drafted	Verified	Confirmed	
Date	30.10.2020	22.01.2026	22.01.2026	
Initials	AS	PM	AS	