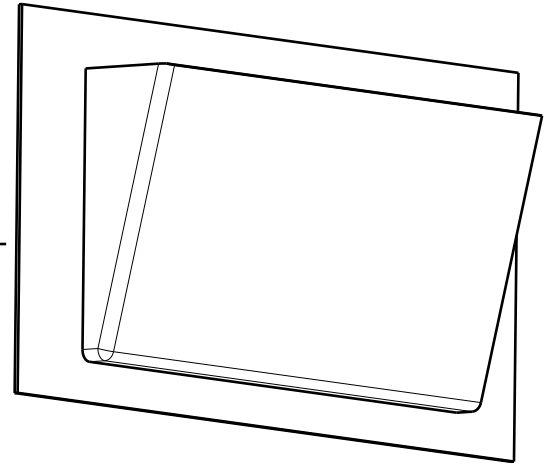


Quickrelease pocket inside



Sheet 1/2

NOTICE: THE INFORMATION CONTAINED ON THIS DRAWING IS PROPRIETARY TO VERMEIREN GROUP AND SHALL NOT BE DISCLOSED IN WHOLE OR IN PART, OR USED FOR ANY DESIGN OR MANUFACTURE, EXCEPT WHEN SUCH USER POSSESSES DIRECT WRITTEN AUTHORISATION FROM VERMEIREN GROUP.

1920561

Plan No.

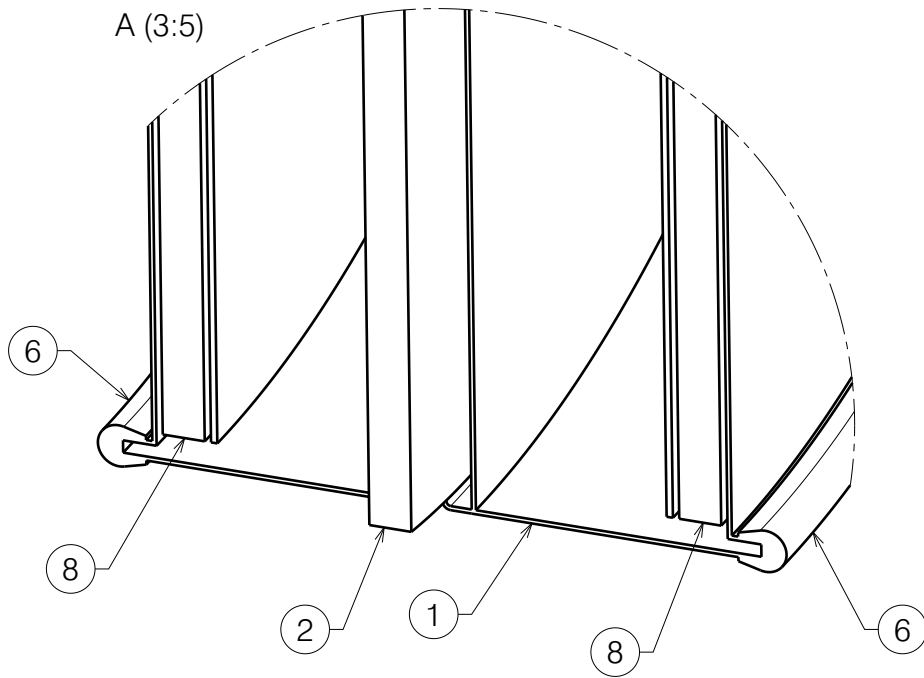
E00065443/B.1

WHEEL COVER SE46

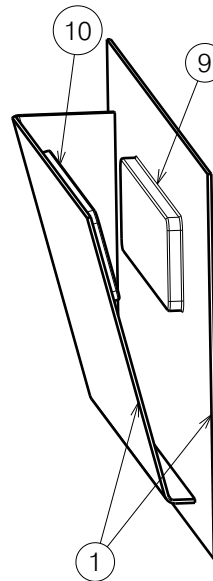
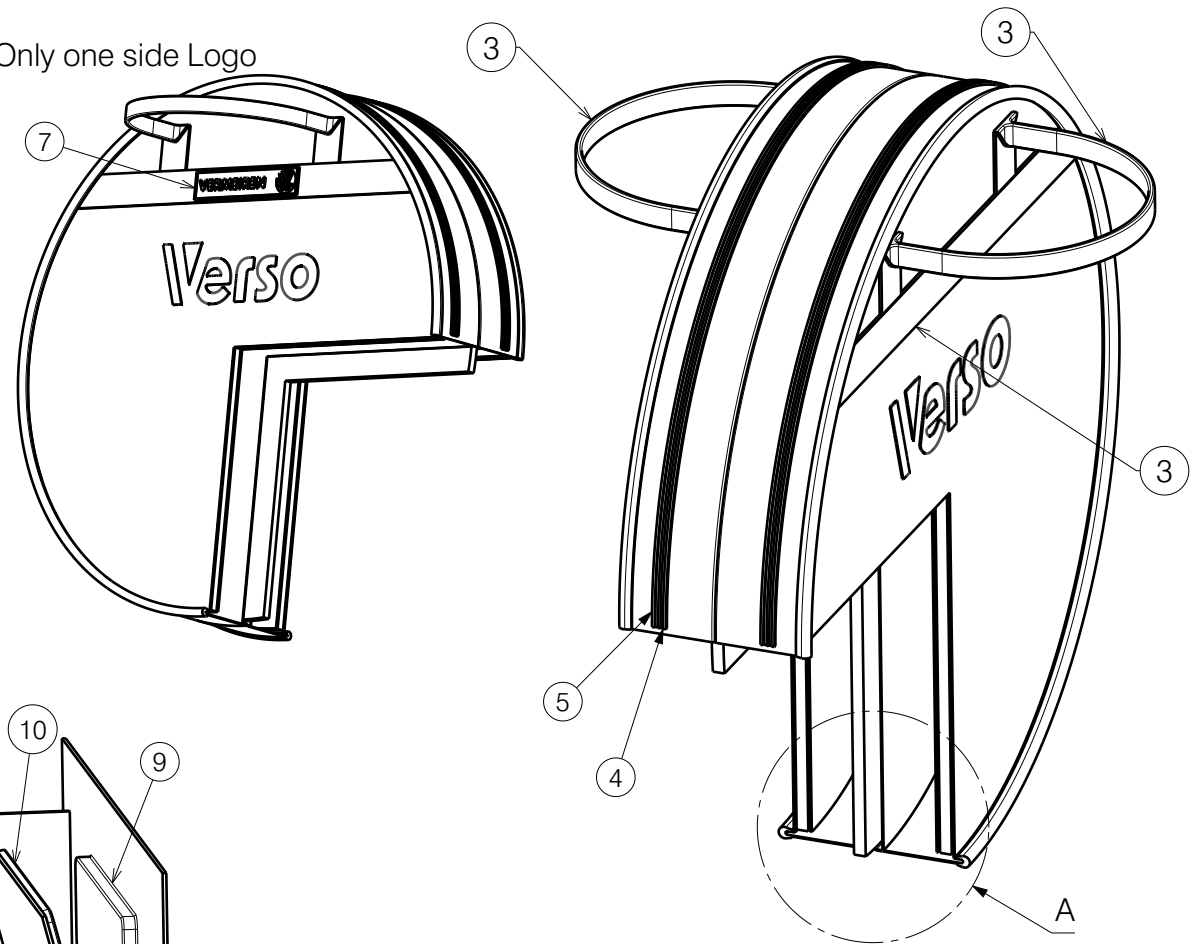
Scale:	1:6	Drafted	Verified	Confirmed
Date	09/08/2023	18/04/2024	18/04/2024	18/04/2024
Initials	MK	PM	MK	



A (3:5)



Only one side Logo



Quick release pocket
with Velcro

No.	Plan	Article	Qty
1	NYLON	2990625	2,7m
2*	Foam hard 10mm	2991015	0,013RL
3	Band 40mm	1009517	2,6m
4	Zipper	1995604	2,1m
5	Zipper slider	1995605	4
6	Edge	2993411	4,2m
7	Rubber logo	3993014	1
8**	Foam soft 10mm	1915969	0,022RL
9	Velcro	1009709	0,10m
10	Velcro hook	1009710	0,10m

2* Qty 0,013 RL = 0,65mb

8** Qty 0,022 RL = 0,65mb

NOTICE: THE INFORMATION CONTAINED ON THIS DRAWING IS PROPRIETARY TO VERMEIREN GROUP AND SHALL NOT BE DISCLOSED IN WHOLE OR IN PART, OR USED FOR ANY DESIGN OR MANUFACTURE, EXCEPT WHEN SUCH USER POSSESSES DIRECT WRITTEN AUTHORISATION FROM VERMEIREN GROUP.

WHEEL COVER SE46			
Scale:	1:6	Drafted	Verified
Date	09/08/2023	18/04/2024	18/04/2024
Initials	MK	PM	MK

Sheet 2/2

1920561

Plan No.

E00065443/B.1

