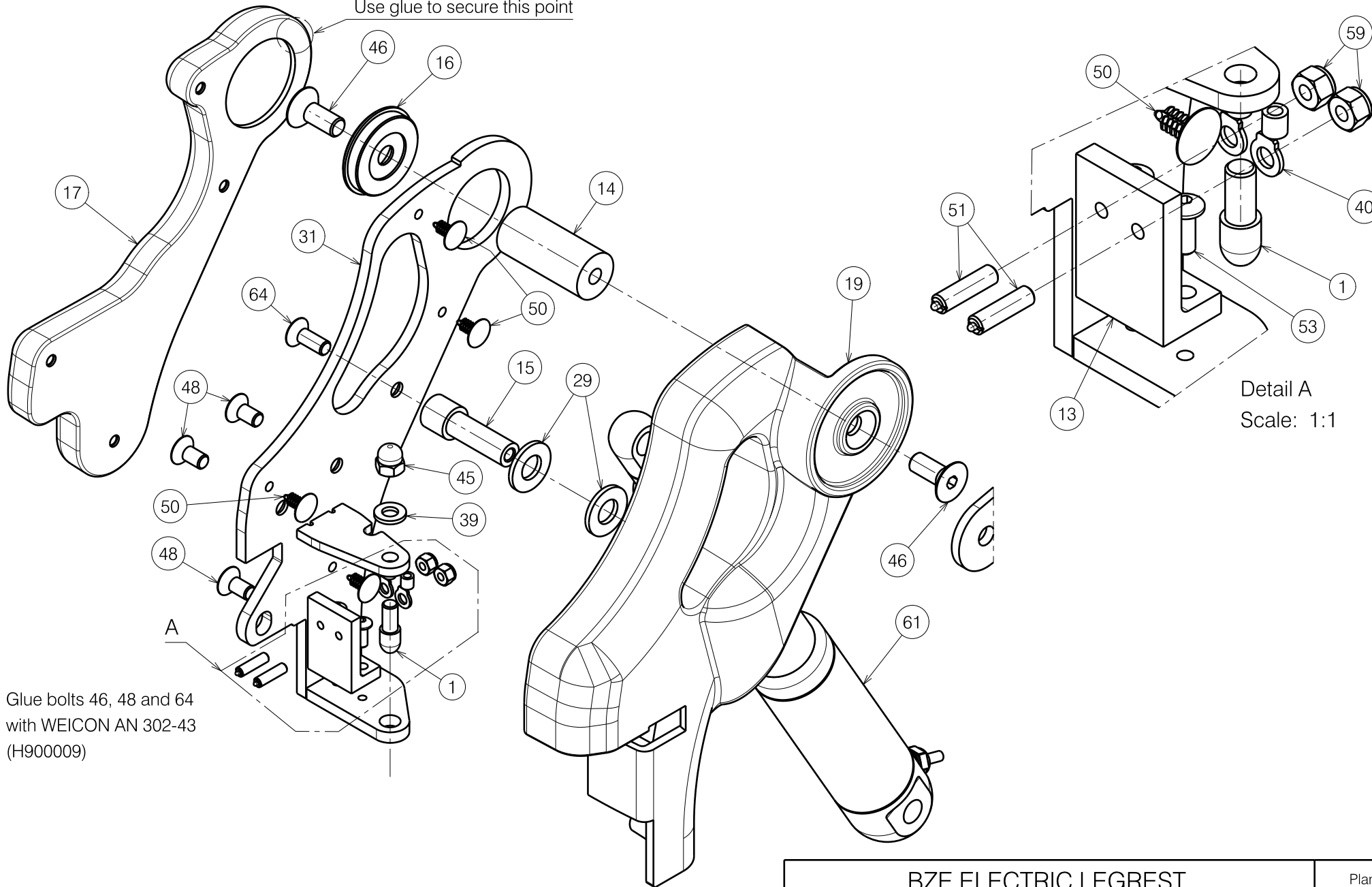


E001133 / P

BZE ELECTRIC LEGREST BZE ELEKTRISCHE BEENSTEUN				Plan No. E001133 / P
Scale: 1:2	Drafted	Verified	Confirmed	
Date	31/07/2019	26/07/2023	26/07/2023	
Initials	SD	SD	PJ	

Use glue to secure this point

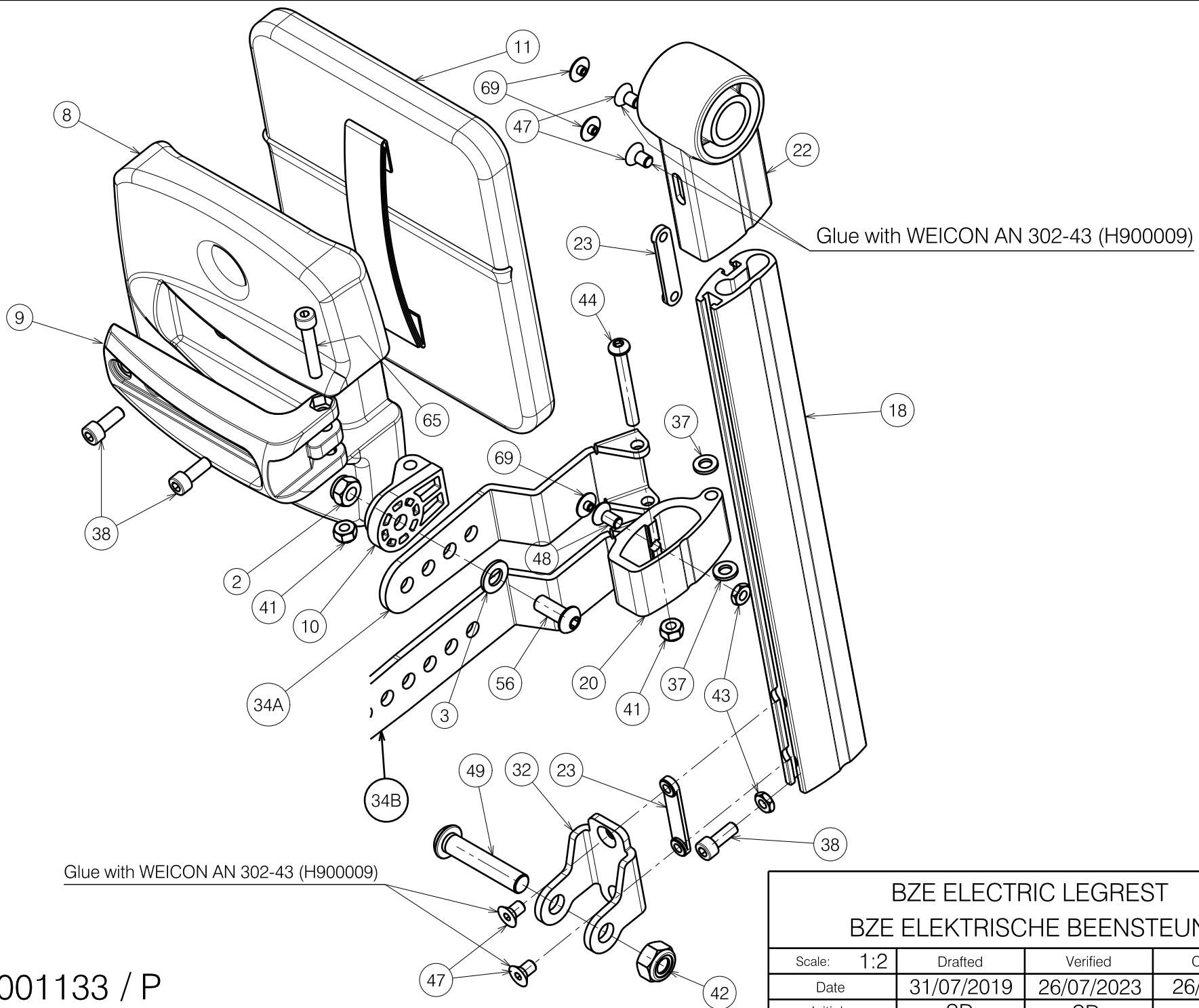


Glue bolts 46, 48 and 64  
with WEICON AN 302-43  
(H900009)

Detail A  
Scale: 1:1

E001133 / P

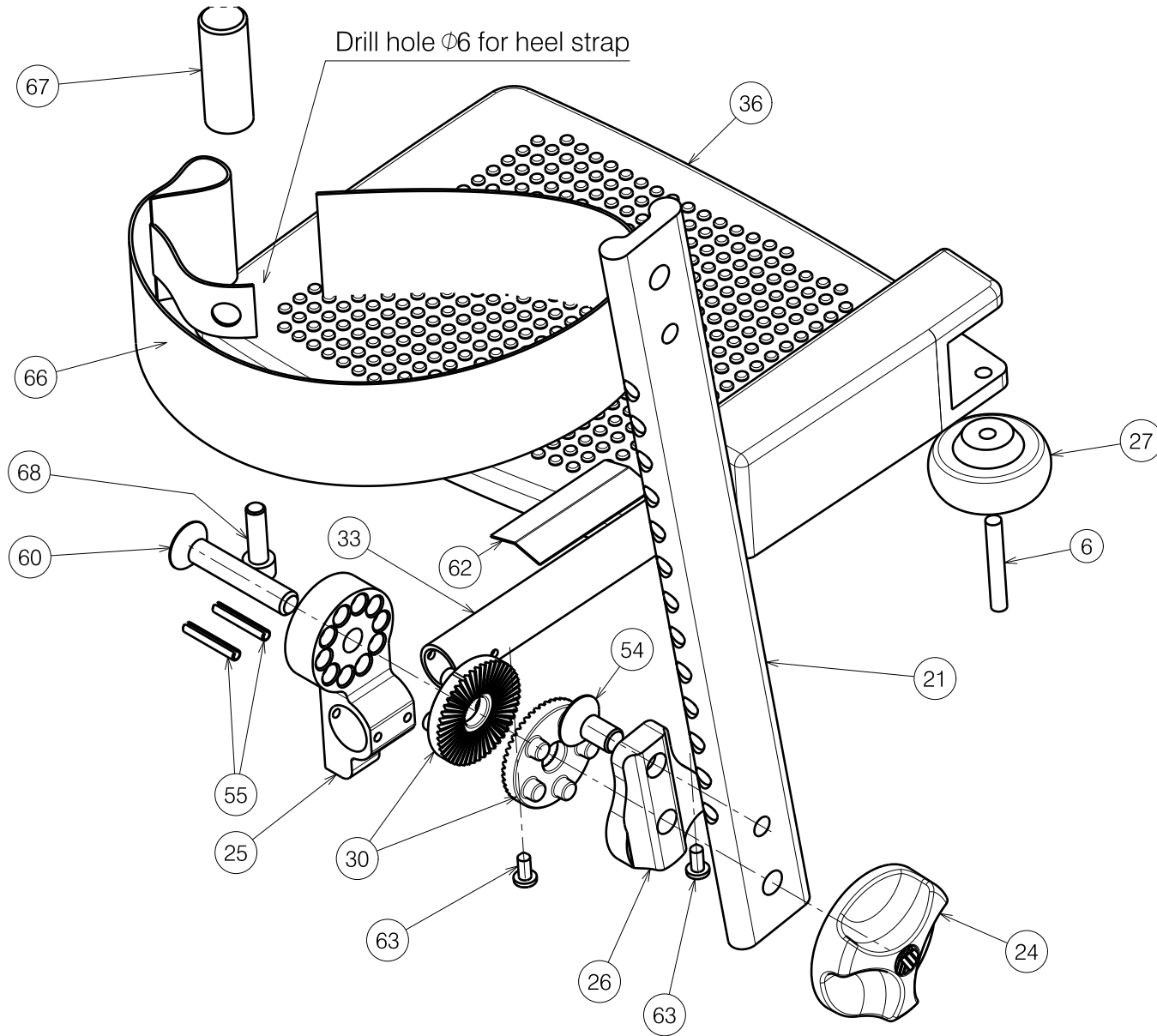
BZE ELECTRIC LEGREST BZE ELEKTRISCHE BEENSTEUN				Plan No. E001133 / P
Scale: 1:2	Drafted	Verified	Confirmed	
Date	31/07/2019	26/07/2023	26/07/2023	
Initials	SD	SD	PJ	



E001133 / P

<b>BZE ELECTRIC LEGREST</b> <b>BZE ELEKTRISCHE BEENSTEUN</b>				Plan No.
				E001133 / P
Scale:	1:2	Drafted	Verified	Confirmed
Date	31/07/2019	26/07/2023	26/07/2023	
Initials	SD	SD	PJ	





E001133 / P

<b>BZE ELECTRIC LEGREST</b> <b>BZE ELEKTRISCHE BEENSTEUN</b>				Plan No.
				E001133 / P
Scale: 1:2	Drafted	Verified	Confirmed	
Date	31/07/2019	26/07/2023	26/07/2023	
Initials	SD	SD	PJ	

Material

No.	Plan	Article	Quantity	No.	Plan	Article	Quantity	No.	Plan	Article	Quantity
1	X000227	1465200	2	35A	Y023598 (R)	2072554	1	60	M8x45 DIN7991	2991298	1
2	X001016	1001682	1		Y023567 (L)	2072654	1	61	900 N	1917021	1
3	X001119	1001554	1	35B	Y023713 (R)	2074154	1	62	Y000593	F000193	1
4	X002126	1992429	1		Y023712 (L)	2074054	1	63	D3.9x9.5 DIN7981	1001530	2
5	X002169	1992791	1	35C	YP08356 (R)	2614854	1	64	M6x16 DIN7991	1994752	1
6	X003590	1003917	1		YP08355 (L)	2614754	1	65	M6x35 DIN912	1001496	1
7	X004360	G080000	1	36	Small left	1627204	1	66	Small	1992802	1
8	X004733	1905733	1		Small right	1627304	1		Large	1992803	1
9	X004784	1905950	1		Medium left	1627404	1	67	XC00134	3992885	1
10	X004787	1905947	1		Medium right	1627504	1	68	M6x20 DIN912	1001493	1
11	X004912	1907232	1		Large left	1627004	1	69	---	1916184	3
12	X005757	1916036	1		Large right	1627104	1				
13	X005933	1916443	1	37	M6 DIN125	1000973	2				
14	X005761	2071300	1	38	M6x16 DIN912	1001492	3				
15	X005762	2071400	1	39	M6 DIN125	1001564	1				
16	X005765	G117100	1	40	---	L000045	2				
17	X005766 (R)	1916069	1	41	M6 DIN985	1001680	7				
	X005769 (L)	1916070	1	42	M10 DIN985	1001683	1				
18	X005874 (R)	2070599	1	43	M6 DIN439	1006978	2				
	X005764 (L)	2071299	1	44	M6x50 ISO7380	1006997	1				
19	X005875 (R)	2071954	1	45	M6	1008492	1				
	X005767 (L)	2071754	1	46	M8x20 DIN7991	1903136	2				
20	X005876	2071099	1	47	M6x10 DIN7991	1904683	4				
21	X005877	2070699	1	48	M6x12 DIN7991	1908566	4				
22	X005879 (R)	2071154	1	49	X002381	1009335	1				
	X005768 (L)	2071654	1	50	D4	1916068	4				
23	X005886	2071800	2	51	M4x16	1916442	2				
24	X005887	1916037	1	52	M3x16 DIN7991	1916136	1				
25	X005888 (R)	2070899	1	53	M4x10 ISO7380	1998758	2				
	X005763 (L)	2070999	1	54	M8x16 DIN7991	1916193	1				
26	X005889	2070799	1	55	D3x22 DIN1481	1916194	2				
27	X005901	1915961	1	56	M8x20 ISO7380	1992349	1				
28	X005904	1916059	1	57	M5 DIN9786	1992804	1				
29	M10 DIN125	1001557	2	59	M4 DIN985	1001678	2				
30	XP01636	GP10126	2								
31	Y023564 (R)	2072354	1								
	Y023636 (L)	2072454	1								
32	Y023569	2072254	1								
33	Y023577	2073900	1								
34A	Y023579	2072154	1								
34B	P00037790	2082754	1								

Notes:

- 34A Short depth adjustment
- 34B Long depth adjustment = Standard
- 35A for Forest 3, Sigma, Timix, Forest 3 +
- 35B for Navix
- 35C for Turios

Quantities are for one side

<b>BZE ELECTRIC LEGREST</b>				Plan No. <b>E001133 / P</b>
<b>BZE ELEKTRISCHE BEENSTEUN</b>				
Scale: 1:2	Drafted	Verified	Confirmed	
Date	31/07/2019	26/07/2023	26/07/2023	
Initials	SD	SD	PJ	

E001133 / P