

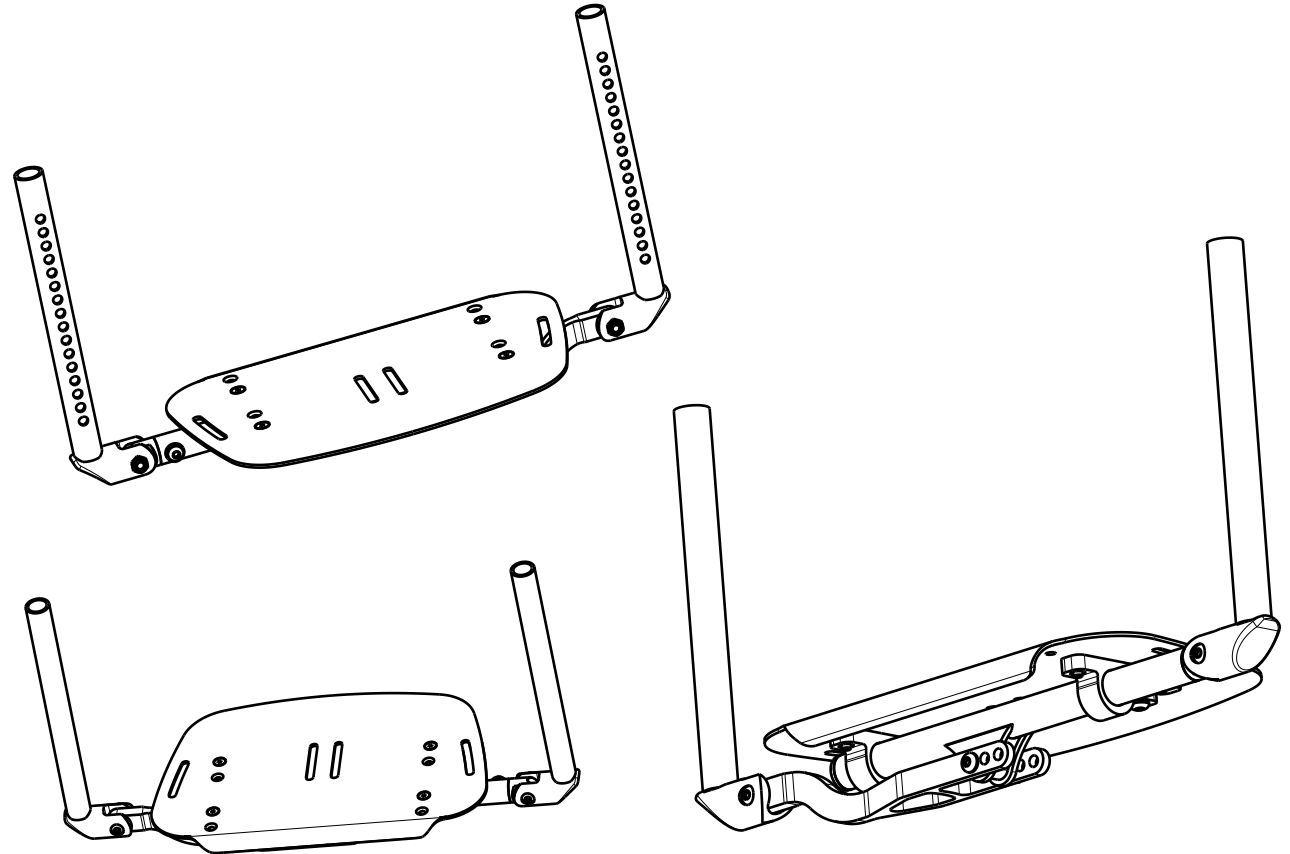
Use WEICONLOCK AN 302-43
 Uzyc WEICONLOCK AN 302-43

FOLDING FOOTREST TRIGO				Plan No.
Page1/2				EP00245/ E
Scale: 1:2	Drafted	Verified	Confirmed	
Date	18/10/2017	11/02/2021	11/02/2021	
Initials	AS	MK	TK	

EP00245 / E

Material			
No.	Plan	Article	Quantity
1	YP05213	2712399(L)	1
2	YP05212	2712499(R)	1
3	YP06349	2799499(30)	1
	YP06350	2799599(32)	1
	YP06351	2799799(34)	1
	YP05635	2718199(36)	1
	YP05638	2718299(38)	1
	YP05640	2718399(40)	1
	YP05578	2713999(42)	1
	YP05597	2716199(44)	1
	YP05599	2716099(46)	1
	YP05602	2718099(48)	1
	YP05604	2717999(50)	1
4	YP06282	2797754(30-34)	1
	YP05636	2719554(36-40)	1
	YP05453	2715954(42-46)	1
	YP05633	2719454(48-50)	1
	XP03191 (carbon)	2996906(30-34)	1
	XP01945(carbon)	2993619(36-40)	1
	XP01942(carbon)	2993616(42-46)	1
	XP01944(carbon)	2993618(48-50)	1
5	XP01507	GP10599	1
6	XP01504	GP07699	2
7	XP02046	GP14599(30-34)	1
	XP01658	GP10799(36-40)	1
	XP01543	GP07599(42-46)	1
	XP01657	GP10899(48-50)	1
8	M6	2994063	2
9	M6x25	2994062	2
10	M6 DIN125	2994414	6
11	M6x40	2994066	1

Material			
No.	Plan	Article	Quantity
12	D15	1001602	1
13	M5x12 DIN7991	2994076	4
14	M6X16_DIN912	2994065	2
15	M6x16 Black	2994067	1
16	M5	2994006	4



EP00245 / E

FOLDING FOOTREST TRIGO				Plan No.
				EP00245/ E
Scale: 1:2	Drafted	Verified	Confirmed	
Date	18/10/2017	11/02/2021	11/02/2021	
Initials	AS	MK	TK	