

Material			
No.	Plan	Article	Quantity
1	XP01845	2993565	1
2	XP01847	2993567	1
3	YP07405	2763399KTL	1
4	XP01850	2993569	1
5	XP01875	GP12600	2
6	XP01907	GP13000	1
7	XP01901	GP00196	2
8	X005277	17938	1
*	XP01725	2993341	1
9	YP06046	2791565	1
10	YP06039	2791265	1
11	YP06040	2793065	1
12	M6 DIN 125	2994414	2
13	M6X16 DIN 912	1001492	3
14	M6 DIN 127	1004414	1
15	M4x4 DIN 912	2993667	1
16	M5x35 DIN 7380	2993601	1
17	XP02584	2994386	2
18	YP07810	2600765	1
19	M4X12	1907582	1
20	M5	2994006	1
21	XP03073	GP23400	2

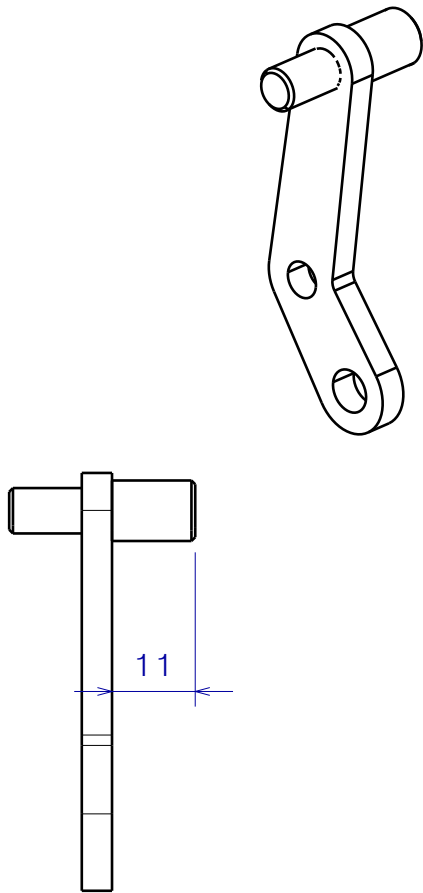
* Use for camber 6° and wheel off road (2990958).

EP00253 / L

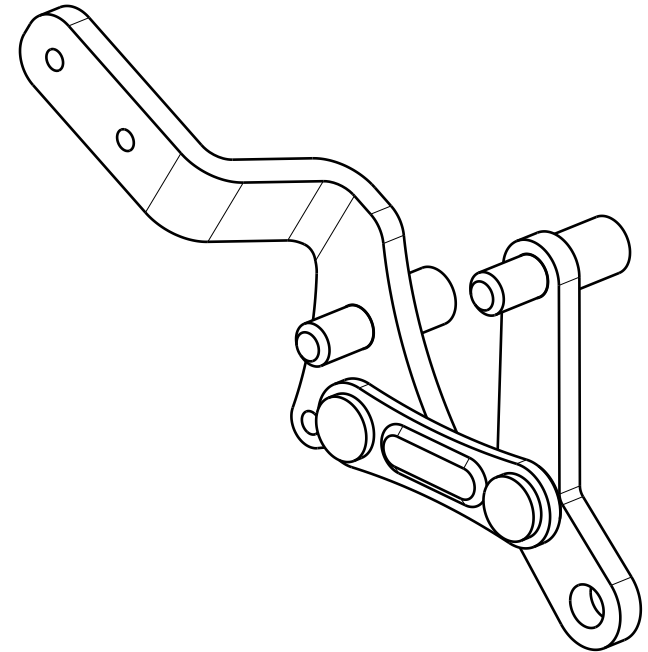
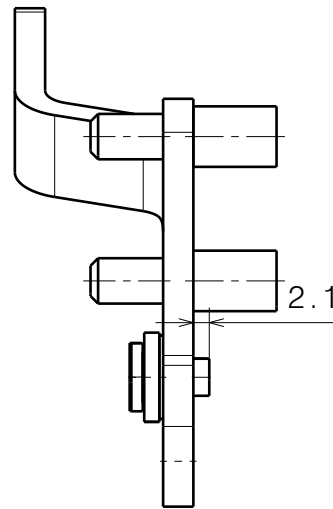
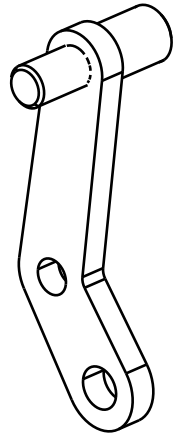
Method PL		
Procedure	Description	Tool
Press	5 with 10	M600105
Press	5 with 11	M600105
Press	7 with 10, 11 thru. 3	M600106

PUSHPULL BRAKE L				Page 1/2	Plan No.
				EP00253/L	
Scale: 3:4	Drafted	Verified	Confirmed		
Date	25/10/2017	05/01/2021	05/01/2021		
Initials	FD	AS	TK		





Press XP01875 with YP06039
 Press XP01875 with YP06040



XP01876 with YP06039, YP06040
 through YP07405

EP00253 / L

PUSHPULL BRAKE L				Page 2/2	Plan No.
				EP00253/L	
Scale: 3:4	Drafted	Verified	Confirmed		
Date	25/10/2017	05/01/2021	05/01/2021		
Initials	FD	AS	TK		

