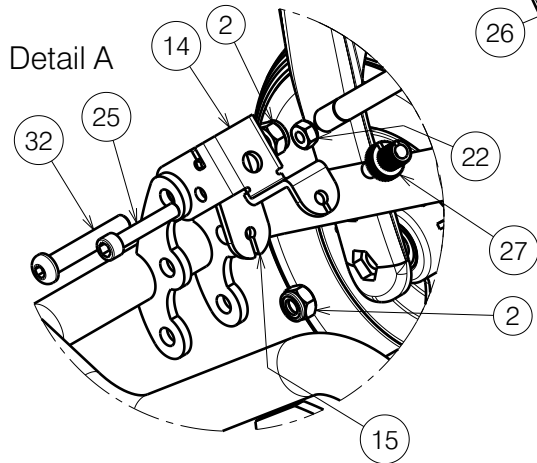
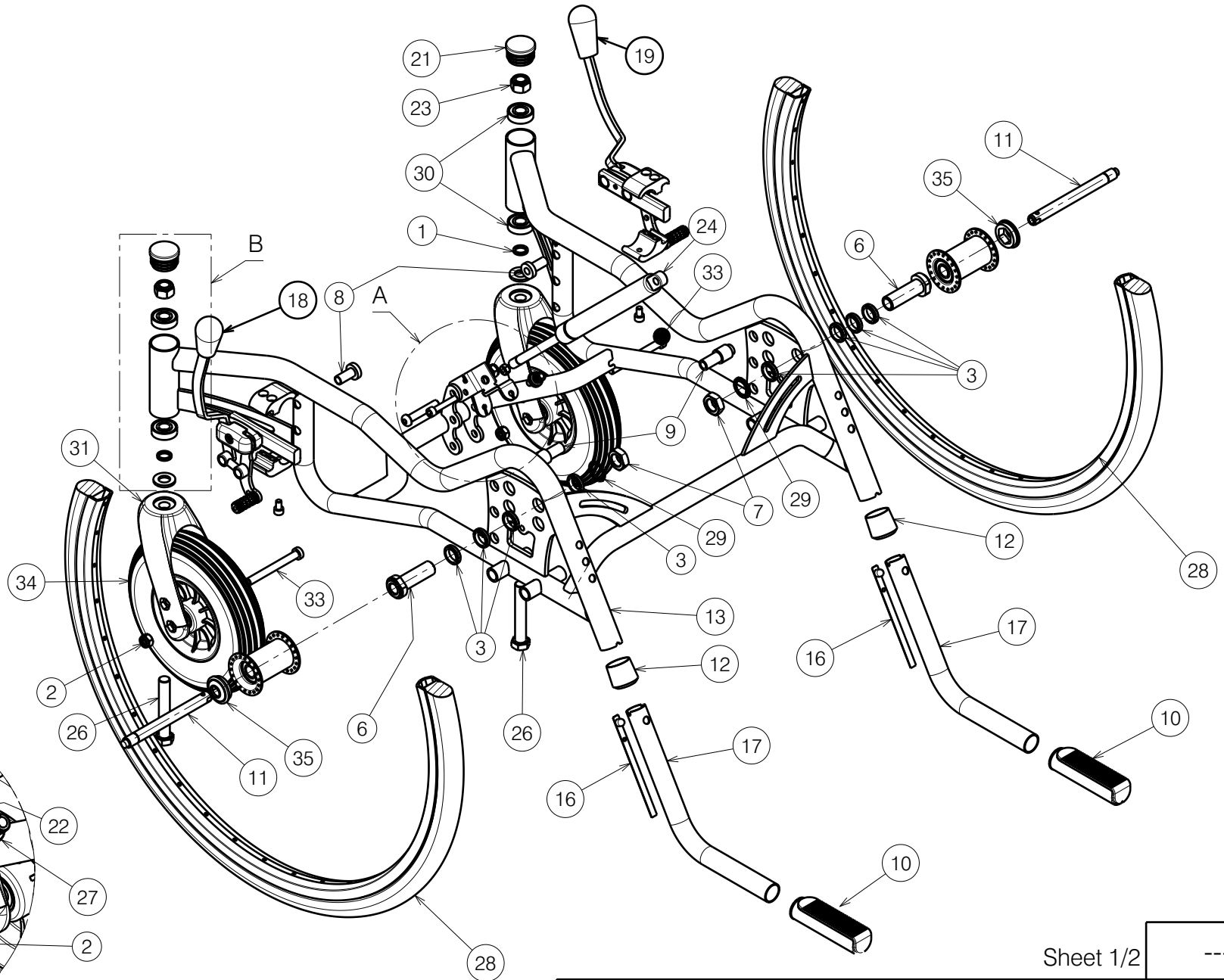


Detail B



Detail A



Sheet 1/2

Plan No.

E00034473/C.1

INOVYS 2 EVO LOWER FRAME

Scale:	4:25	Drafted	Verified	Confirmed
Date	24/05/2022	12/08/2022	12/08/2022	
Initials	MK	PM	AZ	



Material			
No.	Plan	Article	Quantity
1	X000188	G078500	2
2	M8 NUT BLACK	2994009	3
3	X001380	1009726	8
6	---	1905244	2
7	X002437	1992699	2
8	X003451	1658800	2
9	X003452	1658900	2
10	X003596	1998528	2
11	X005720	1905243	2
12	Y004353	F000411	2
13	YP06450	2734252 (35)	1
	Y010736	1638652 (40)	1
	Y011927	1659652 (45)	1
	Y011934	1659752 (50)	1
14	Y011640	1655154	1
15	Y011652	1655254	1
16	Y016422	1000181	2
17	Y017901	1758901	2
18	Left brake	1918705	1
19	Right brake	1918706	1
20	M12 DIN125A	1001561	2
21	D32	1001610	2
22	M6 NUT BLACK	2994063	1
23	M12 DIN98	1001684	2
24	400N	1005602	1
25	M6x35 BLACK	2994131	1
26	M12x75 DIN931	1009991	2
27	M7	1900008	1
28	24 inch	1915351	2
29	M16 DIN17222	1911653	2
30	---	1992559	4
31	---	1992599	2
32	M8x45 BLACK	1915945	1
33	M8x75 BLACK	2994912	2
34	200x50 PU	1916559	2
35	X003800	1900347	2

Sheet 2/2

Plan No.

E00034473/C.1

INOVYS 2 EVO LOWER FRAME

Scale: 4:25	Drafted	Verified	Confirmed
Date	24/05/2022	12/08/2022	12/08/2022
Initials	MK	PM	AZ

