

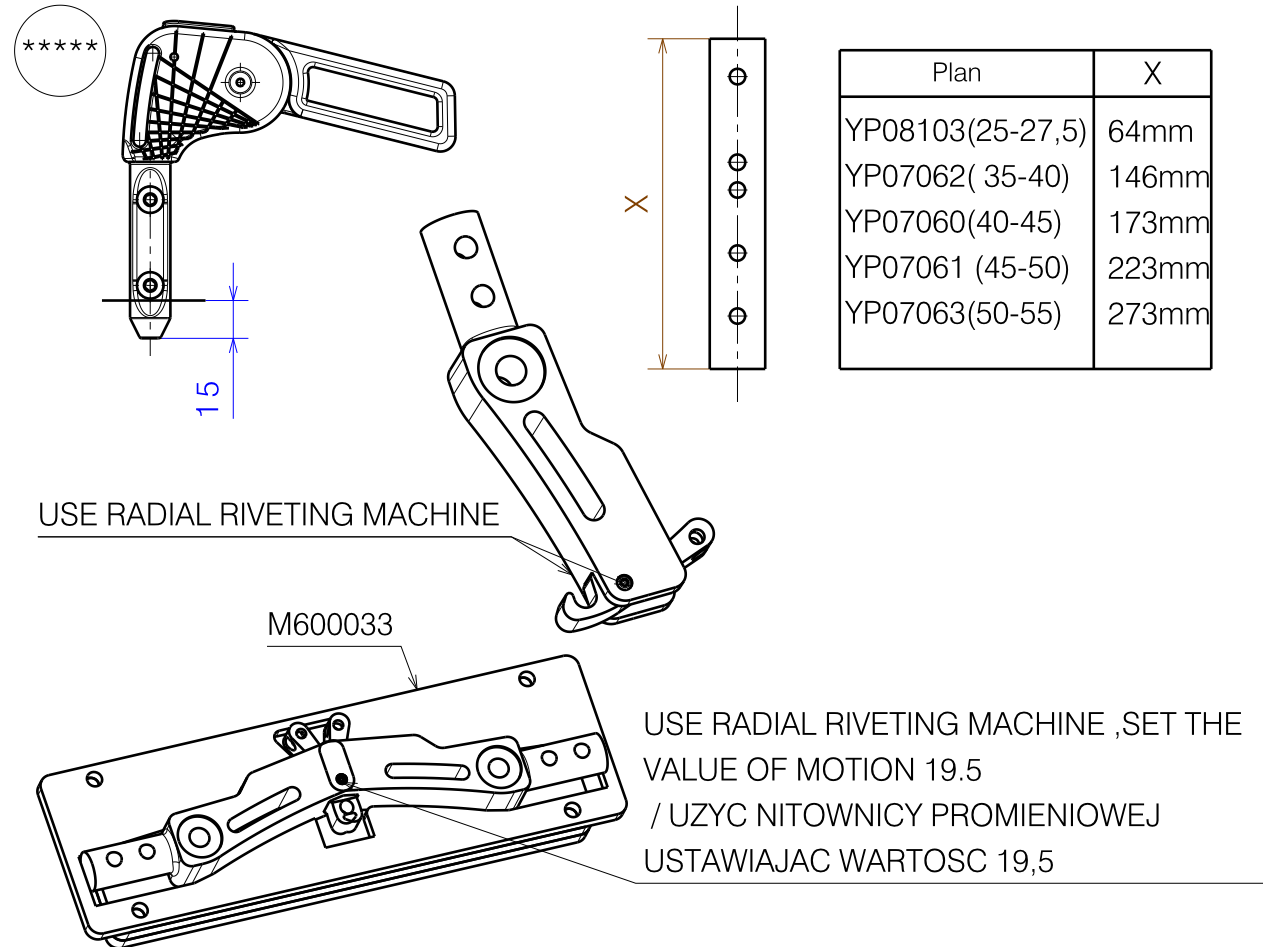
EP00375 / E

BACKREST FOLDED WITH HEIGHT ADJUSTMENT AND FOLDABLE HANDLE				Plan No. EP00375/ E
Page 1/2				
Scale: 1:3	Drafted	Verified	Confirmed	
Date	14/02/2019	29/09/2020	29/09/2020	
Initials	AS	MK	TK	



Material				
No.	Plan	Article	Quantity	
1	YP08101 (25-27,5)	2607665	1	
	YP07077(35-45)	2745465	1	
	YP07081(40-50)	2745565	1	
2*** *****	YP08103(25-27,5)	2607765	1	
	YP07062(35-40)	2744565	1	
	YP07060(40-45)	2744665	1	
	YP07061 (45-50)	2744765	1	
	YP07063(50-55)	2744865	1	
	3	XP01632	GP09399	1
	4	XP01631	GP09299	1
5	XP01861	GP12900	1	
6	XP01633	GP09500	1	
7	XP01862	GP13200	1	
8	XP03093	GP00286	1	
9	XP02407	GP17800	1	
10	XP02061	GP14700	1	
11	M4x12	2994126	2	
12	M5x12 DIN7991	2994076	2	
13	M6	2994059	3	
14	WASHER_M6	2994068	1	
15	M6x30_DIN_7991	2994116	2	
16	M6x30	1992721	1	
17	Washer M8	1001556	2	
18	M6x10 DIN916	2994284	2	
* 19	M6X10	2994127	2	
20	Fold. push handle	EP00246	1	
*21	Cap D22	1990648	1	
*22	Y004353	F000411	1	
*23	---	1000899	1	
*24	---	2993049	1	
25	---	2991192	1	
26	---	T001063	0,05m	

- * When unused folding handle / Gdy nie uzywana raczka skladana
- ** Used to connect left and right side, use one per wheelchair
- *** Folding handle not possible for YP08103 /Nie mozliwa raczka skladana z YP08103 !
- **** When the folding handle is not used, the backrest is 4cm lower /
Gdy nie uzywana raczka skladana oparcie jest o 4 cm nizsze
- ***** Przy rozmiarze 35-40(YP07062), pozyje 20 nalezy obciac 15mm i uzyc pasa 2,5mm/
For sizes 35-40(YP07062), pos. 20 should be cut by 15mm and a 2.5mm strip should be used



Plan	X
YP08103(25-27,5)	64mm
YP07062(35-40)	146mm
YP07060(40-45)	173mm
YP07061 (45-50)	223mm
YP07063(50-55)	273mm

BACKREST FOLDED WITH HEIGHT ADJUSTMENT
AND FOLDABLE HANDLE Page 2/2

Plan No.

EP00375/ E

Scale: 1:3

Drafted

Verified

Confirmed

Date

14/02/2019

29/09/2020

29/09/2020

Initials

AS

MK

TK



EP00375 / E