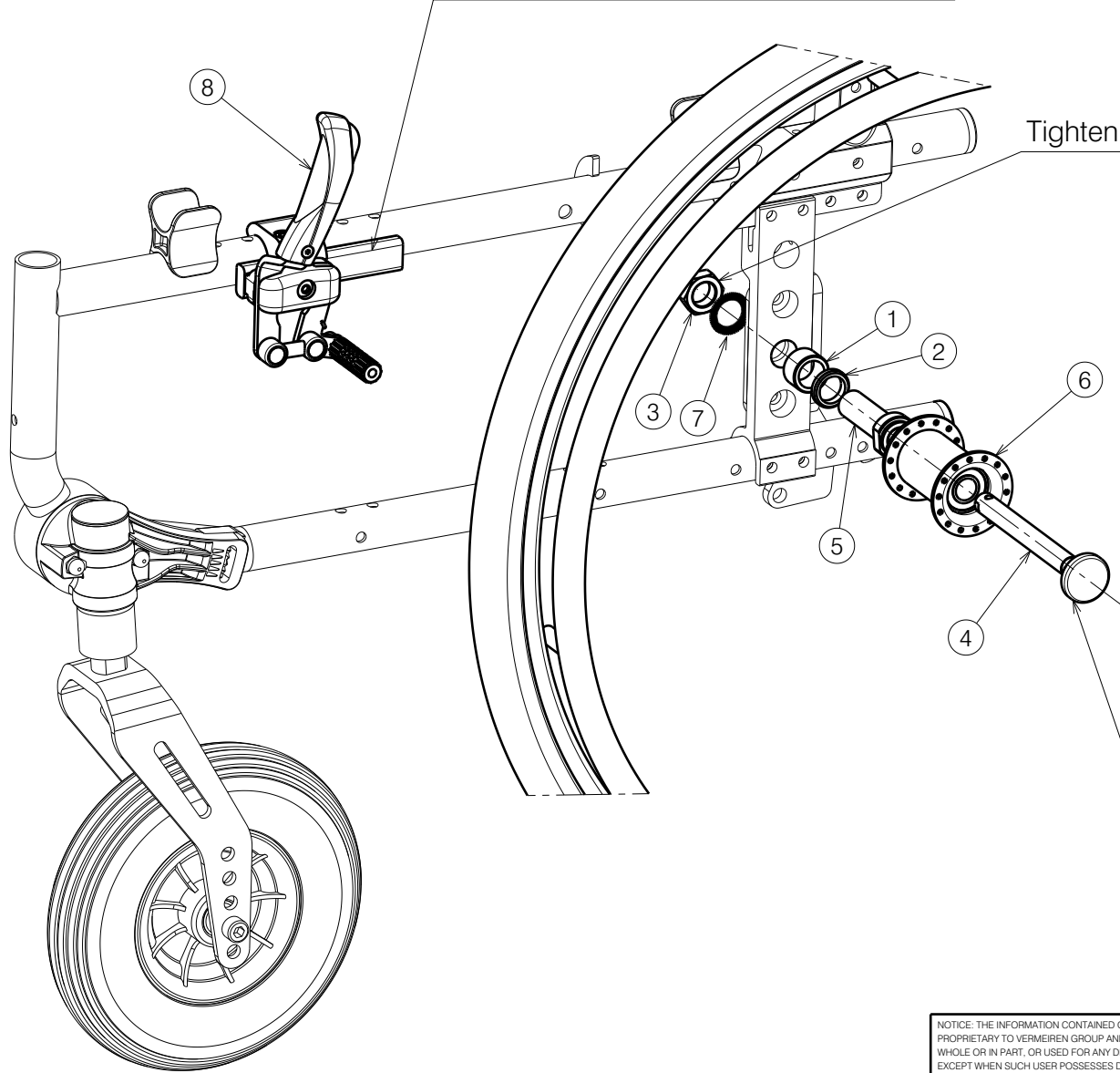


Adjust position to have brake force at 60N

Tighten with 40 Nm torque



| BOM | | | |
|-----|--------------|---------|-----|
| No. | Plan | Article | Qty |
| 1 | X000185 | G000790 | 2 |
| 2 | X001380 | 1009726 | 2 |
| 3 | X002437 | 1992699 | 2 |
| 4 | XC00037 | 3990106 | 2 |
| 5 | X005828 | 1905244 | 2 |
| 6 | 24 inch | 1915351 | 2 |
| 7 | M16 DIN17222 | 1911653 | 2 |
| 8 | Left | 1918195 | 1 |
| | Right | 1918196 | 1 |

Check nut position to proper locking of axle when mounted

NOTICE: THE INFORMATION CONTAINED ON THIS DRAWING IS PROPRIETARY TO VERMEIREN GROUP AND SHALL NOT BE DISCLOSED IN WHOLE OR IN PART, OR USED FOR ANY DESIGN OR MANUFACTURE, EXCEPT WHEN SUCH USER POSSESSES DIRECT WRITTEN AUTHORISATION FROM VERMEIREN GROUP.

1920255

VERSO 24 INCH WHEEL ADAPTOR KIT

Plan No.

E00058416/B.1

| | | | | |
|----------|------------|------------|------------|-----------|
| Scale: | 13:50 | Drafted | Verified | Confirmed |
| Date | 10/05/2023 | 10/05/2023 | 13/05/2023 | |
| Initials | SD | SD | PJ | |

