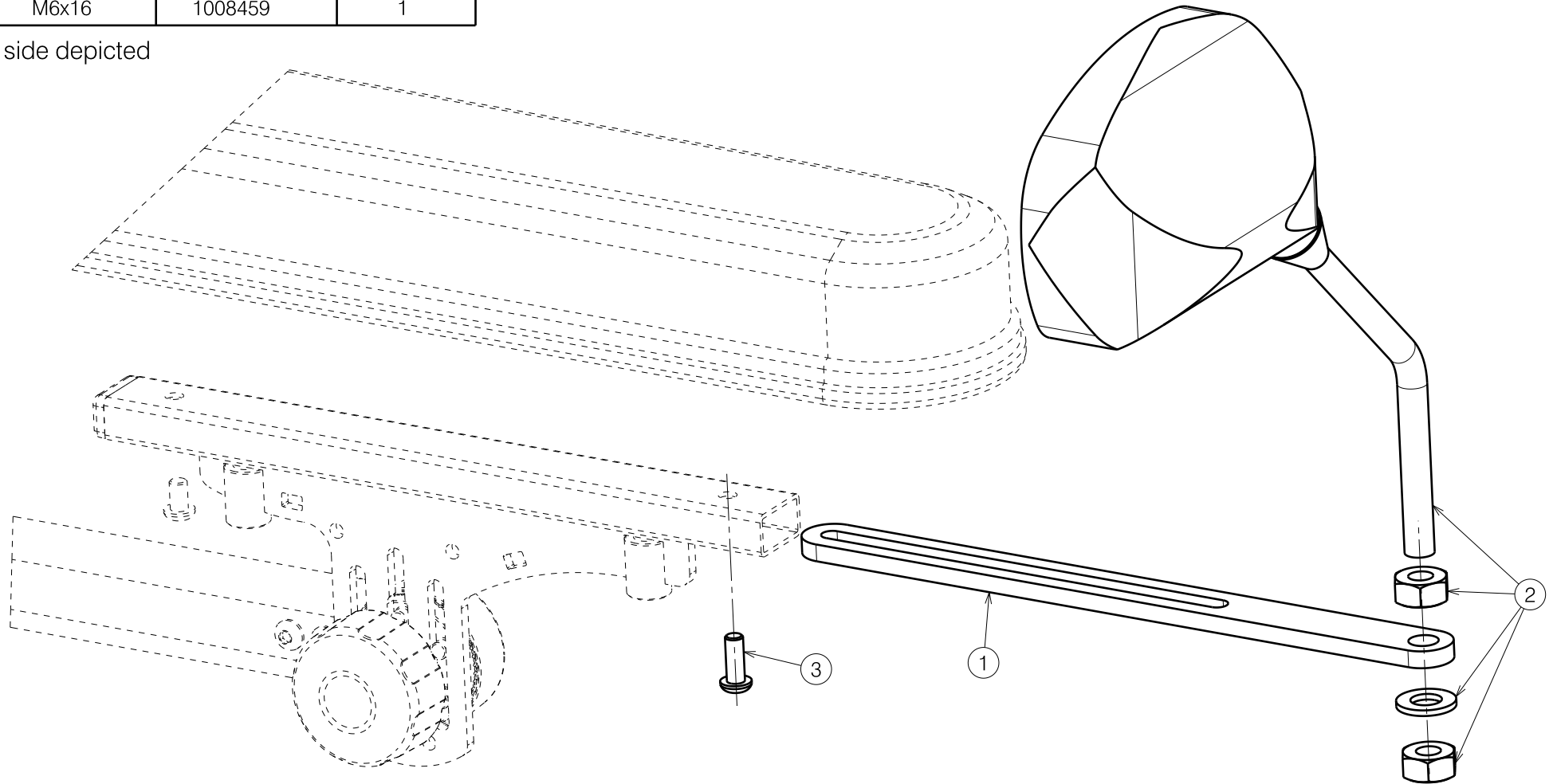


Material			
No.	Plan	Article	Quantity
1	Y019501	1785654	1
2	---	1904227 (L)	1
	---	1904228 (R)	1
3	M6x16	1008459	1

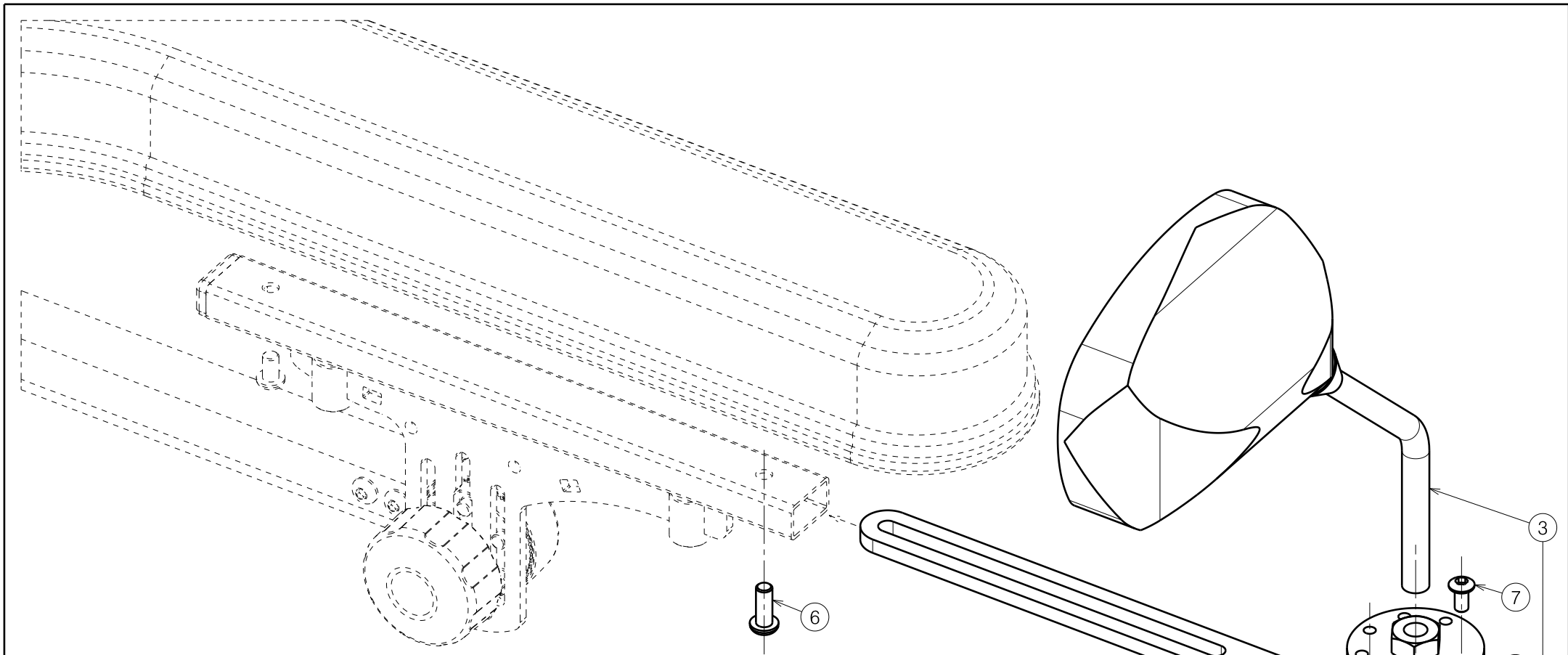
Only right side depicted



E000868 / E

Sheet 1/2


SE74 MIRROR WITH HOLDER TIMIX / FOREST3				Plan No.
				E000868/E
Scale: 1:2	Drafted	Verified	Confirmed	
Date	25/02/2013	09/06/2016	09/06/2016	
Initials	SV	TT	PJ	



Only right side depicted

Material			
No.	Plan	Article	Quantity
1	Y021547	2012154	1
2	Y021549	2012254	1
3	---	1904227 (L)	1
	---	1904228 (R)	1
4	M8 DIN127A	1001570	1
5	M10 DIN934	1001672	1
6	M6x16	1008459	1
7	M5x10	1007063	1
8	M10x19	1991432	1

E000868 / E

SE74 MIRROR WITH HOLDER TIMIX / FOREST3				Plan No.
RETRACTABLE VERSION				E000868/E
Scale: 1:2	Drafted	Verified	Confirmed	
Date	25/02/2013	09/06/2016	09/06/2016	
Initials	SV	TT	PJ	

Sheet 2/2