

Only to a depth of 36-50 .
 For depths of 32-(36 short) use EP00595

NOTICE: THE INFORMATION CONTAINED ON THIS DRAWING IS PROPRIETARY TO VERMEIREN GROUP AND SHALL NOT BE DISCLOSED IN WHOLE OR IN PART, OR USED FOR ANY DESIGN OR MANUFACTURE, EXCEPT WHEN SUCH USER POSSESSES DIRECT WRITTEN AUTHORISATION FROM VERMEIREN GROUP.

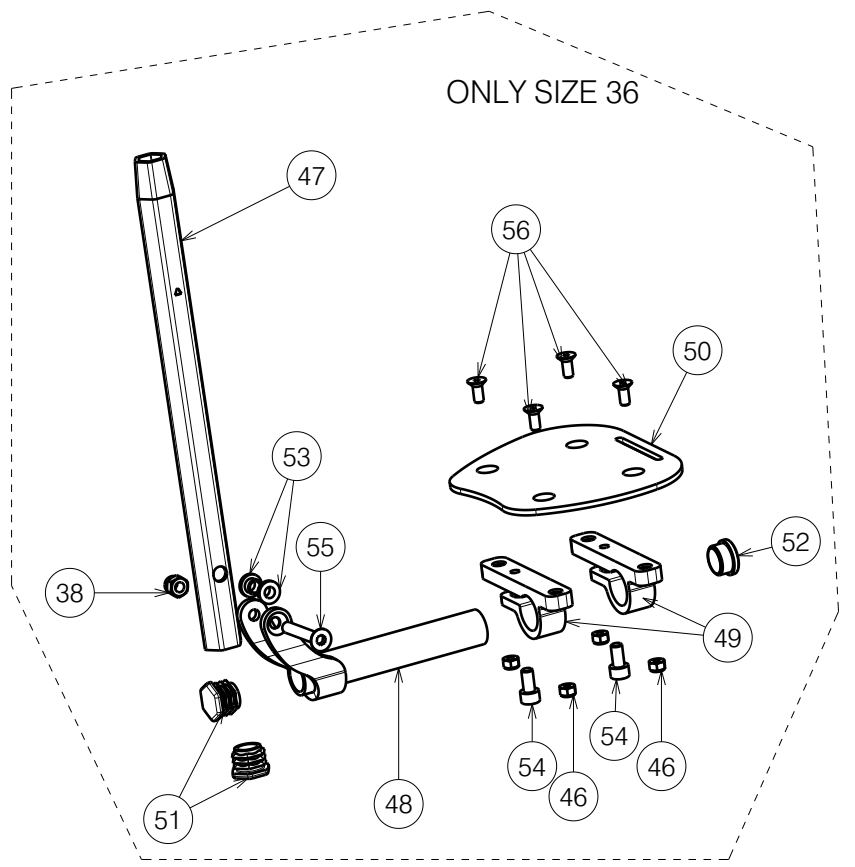
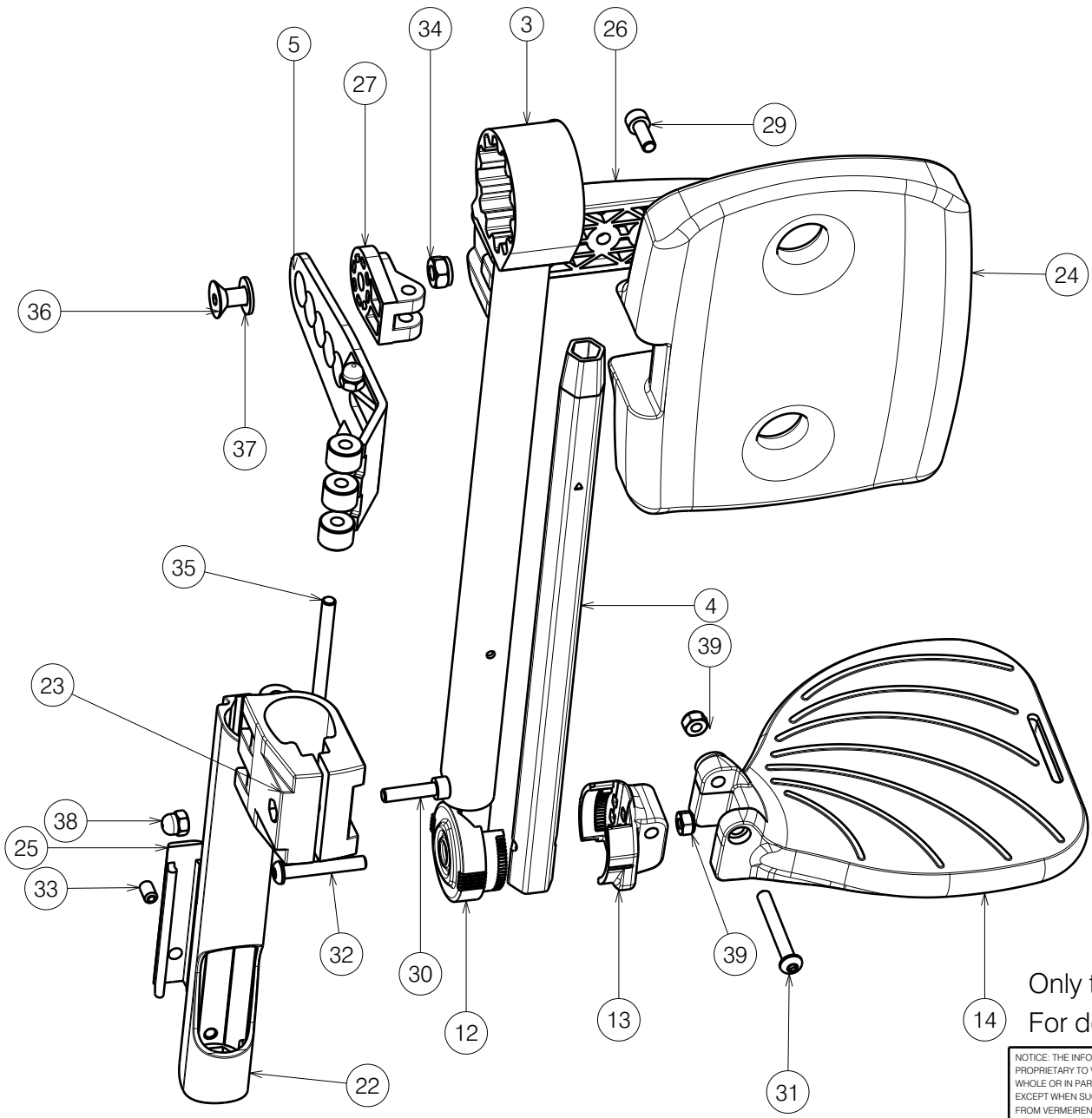
EP00538 Trigo Legrest BZ8

Plan No.

EP00538/I

Scale:	1:2	Drafted	Verified	Confirmed
Date	27.11.2020	22.01.2026	22.01.2026	
Initials	AS	PM	AS	





ONLY SIZE 36

Isometric view
Scale: 1:4

Only to a depth of 36-50 .
For depths of 32-(36 short) use EP00595

NOTICE: THE INFORMATION CONTAINED ON THIS DRAWING IS PROPRIETARY TO VERMEIREN GROUP AND SHALL NOT BE DISCLOSED IN WHOLE OR IN PART, OR USED FOR ANY DESIGN OR MANUFACTURE, EXCEPT WHEN SUCH USER POSSESSES DIRECT WRITTEN AUTHORISATION FROM VERMEIREN GROUP.

Page 2/3

EP00538 Trigo Legrest BZ8

Plan No.

EP00538/I

Scale:	1:2	Drafted	Verified	Confirmed
Date	27.11.2020	22.01.2026	22.01.2026	
Initials	AS	PM	AS	



Material			
No.	Plan	Article	Quantity
1	YP08504(R)	2618354	1
	YP08505(L)	2618454	1
2	YP08517(R)	2618654	1
	YP08518(L)	2618754	1
3	Y018568	1771754	1
4	Y016499	F006269	1
5	YP09190	2638054	1
6	XP01512	2993454	1
7	XP02030	GP14499	1
8	XP01628	GP09100	1
9	XP01546	2993452	1
10	XP01523	GP08000	1
11	XP03096	2996674	1
12	XP02025	2993661	1
13	XP02026	2993662	1
14	XP01655(L)	2993501(38-40)	1
	XP01656(R)	2993502(38-40)	1
	XP01639(L)	2993475(42-44)	1
	XP01640(R)	2993476(42-44)	1
	XP01644(L)	2993480(46-48)	1
	XP01643(R)	2993479(46-48)	1
	XP01641(L)	2993477(50)	1
	XP01642(R)	2993478(50)	1
15	X004690	1905735	1
16	X005880	1915832	2
17	X005047	1908420	1
18	X005055	1917169	1
19	X004713	1905734	1
20	X005028	G103900	1
21	X004423	1717300	1
22	X004666	1905731	1
23	X004739	1905739	1

Material			
No.	Plan	Article	Quantity
24	X004785	1905949 (36-40)	1
	X004733	1905733 (42-50)	1
25	X004658	1904968	1
26	X004784	1905950	1
27	X004787	1905947	1
28	M6x25	2994062	1
29	M6x16 DIN912	1001492	2
30	M6x25	1001494	1
31	M6x45	2994086	1
32	M6x40	2994066	1
33	M6x12	1005949	1
34	M8	1001682	1
35	M6X65	1991860	1
36	M8X16	1916193	1
37	φ4x24DIN6325	G0409	1
38	M6	1008492	1/2*
39	M6	2994063	1
40	M5x10	1999977	2
41	Rivet D4x14	1001584	4
42	ScrewD3.9X9.5	2992349	2
43	Cup D25	1001608	1
44	X005884	G103800	1
45	X004795	1905970	2
46	M5	1001679	1/5*

*for size 36

Material			
No.	Plan	Article	Quantity
47	YP09022	2631626	1
48	YP06254 (R)	2796665 (36)	1
	YP06893 (L)	2765665 (36)	1
49	XP01504	GP07699	2
50	YP06256 (R)	2796754 (36)	1
	YP06257 (L)	2796854 (36)	1
51	X004774	1906056	2
52	Cap D19	1001602	1
53	XP01127	2990164	2
54	M6x12 DIN912	2994005	2
55	M6x40 DIN7991	2994123	1
56	M5x12 DIN7991	2994076	4

Only to a depth of 36-50 .

For depths of 32-(36 short) use EP00595

NOTICE: THE INFORMATION CONTAINED ON THIS DRAWING IS PROPRIETARY TO VERMEIREN GROUP AND SHALL NOT BE DISCLOSED IN WHOLE OR IN PART, OR USED FOR ANY DESIGN OR MANUFACTURE, EXCEPT WHEN SUCH USER POSSESSES DIRECT WRITTEN AUTHORISATION FROM VERMEIREN GROUP.

Page 3/3

EP00538 Trigo Legrest BZ8

Plan No.

EP00538/I

Scale:	1:2	Drafted	Verified	Confirmed
Date	27.11.2020	22.01.2026	22.01.2026	
Initials	AS	PM	AS	

