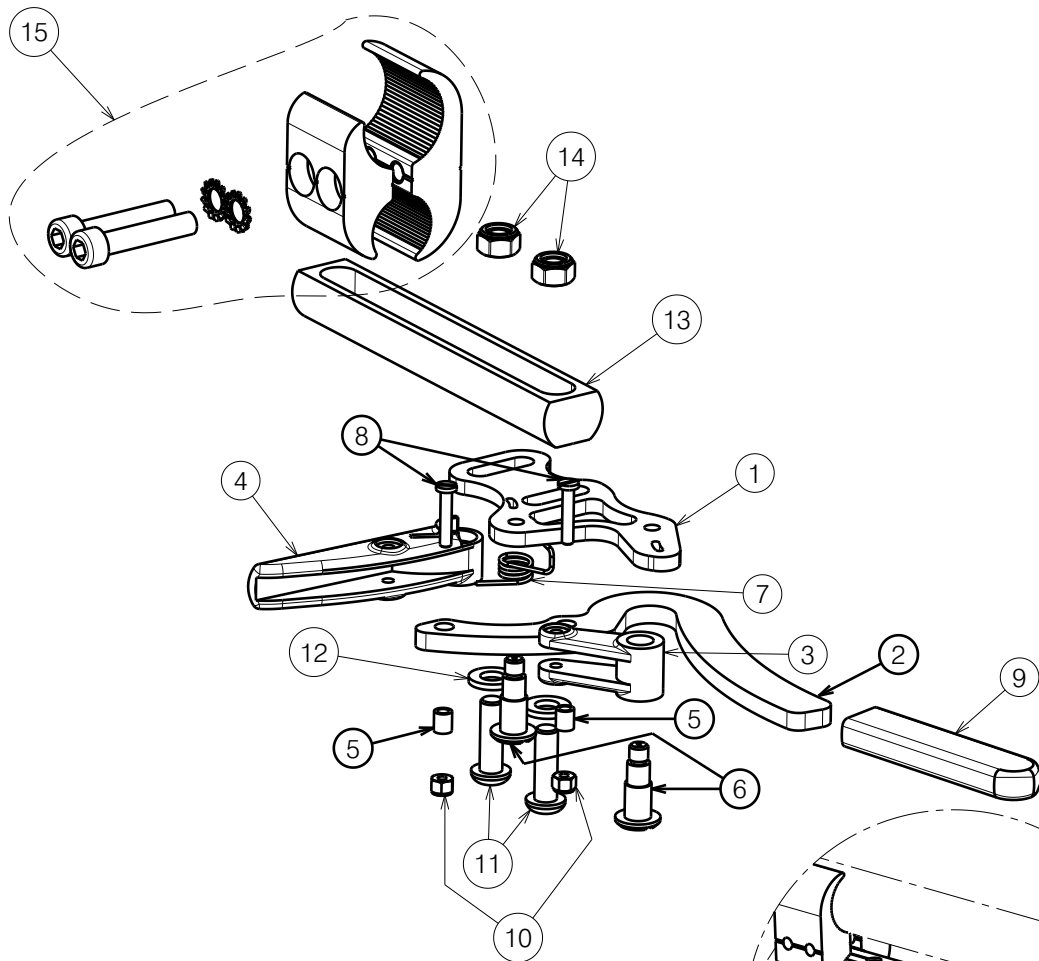
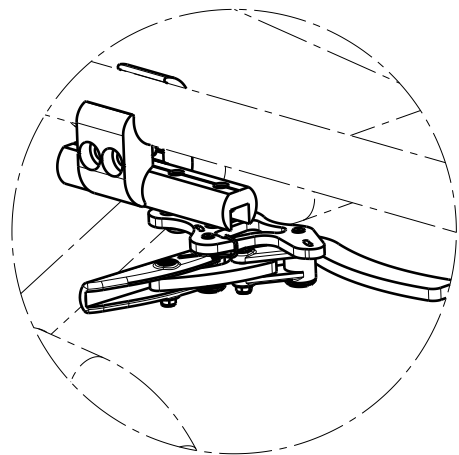


Material			
No.	Plan	Article	Quantity
1	YP06972	2743765	2
2	YP06973	2743565	2
3	XP02231	2993879	2
4	XP02229(R)	2993877	1
	XP02230(L)	2993878	1
5	XP02079	GP15300	4
6	XP02078	GP15226	4
7	XP01914(L)	GP13300	1
	XP01915(R)	GP13400	1
8	XP02922	GP22126	4
9	---	1007521	2
10	M3	2994899	4
11	M6x20 Black	2994010	4
12	M6 DIN 125	2994414	4
13	XP03430	2997530	2
14	M6 DIN 985 Black	2994063	4
15	MBL	2990321	2



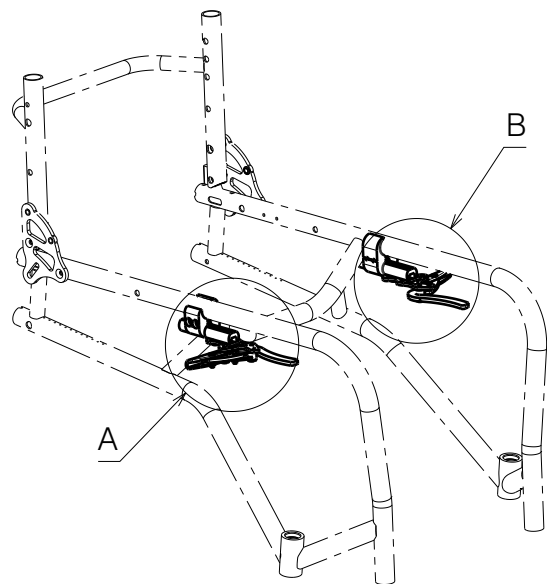
Quantity per left and right side



A (1:3)

Right side

EP00649 / C



B (1:4)

Left side

SPORT BRAKE (L/R) SAGITTA / SAGITTA KIDS

Plan No.

EP00649 / C

Scale: 1:2

Drafted

Verified

Confirmed

Date

15/11/2022

30/08/2023

30/08/2023

Initials

WM

DR

AS

