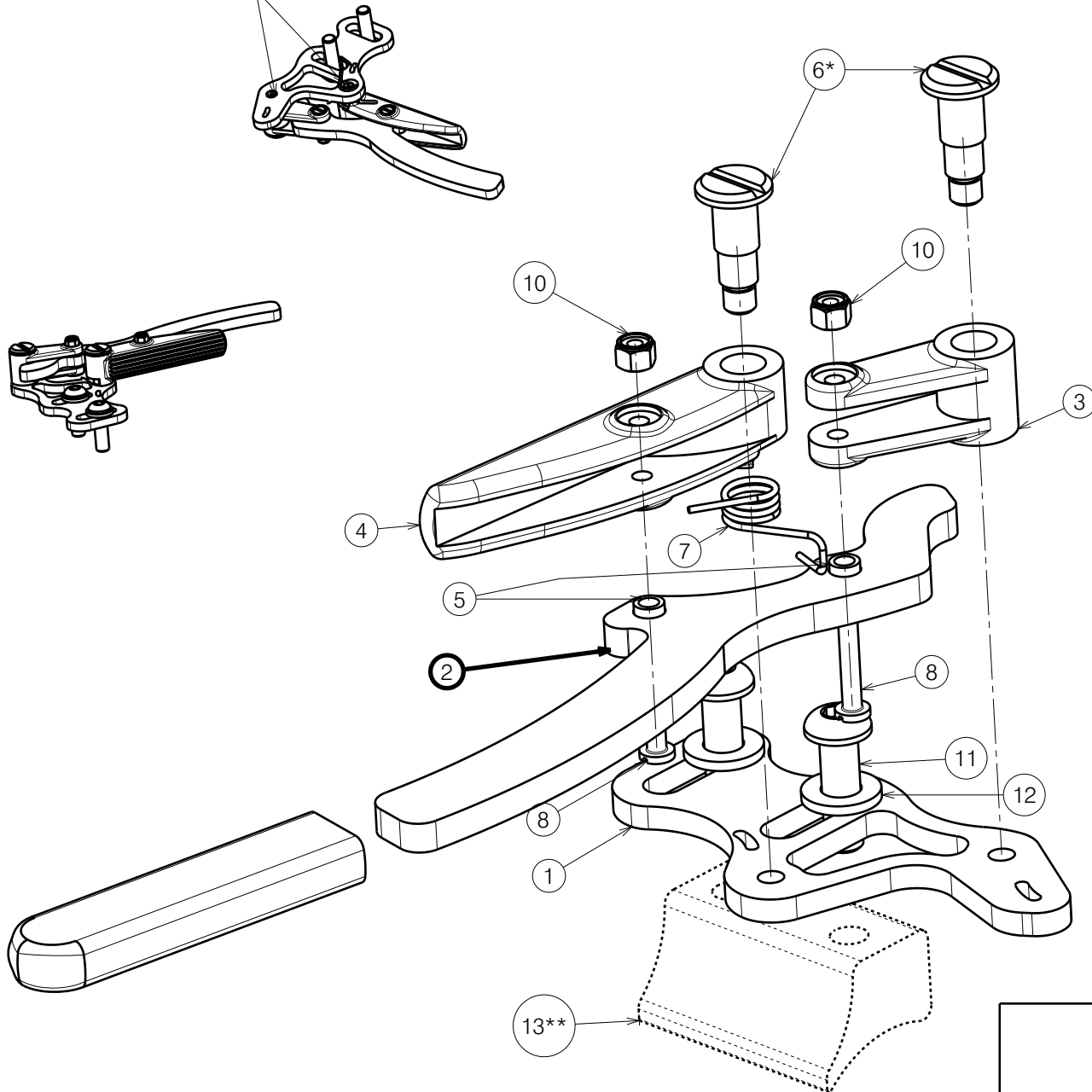
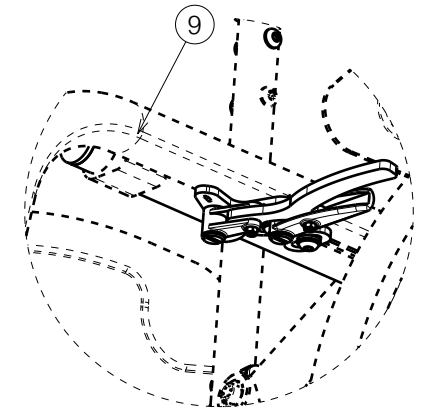


RADIAL RIVETING MACHINE



Material			
No.	Plan	Article	Quantity
1	YP06972	2743765	1
2	P00050248	2670465	1
3	XP02231	2993879	1
4	XP02229(R)	2993877	1
	XP02230(L)	2993878	1
5	XP02079	GP15300	2
*6	XP02078	GP15226	2
7	XP01914(L)	GP13300	1
	XP01915(R)	GP13400	1
8	XP02922	GP22126	2
9	---	1007521	1
10	M3	2994899	2
11	M6x20	2994010	2
	M6x35	1915941	2
12	M6 DIN 125	2994414	2
13	P00049519	2997554	1



EP00370 / J

\* Use an radial riveting machine after adjusting and tightening.  
 \*\* Use if standard version collide with frame.

SPORTS BRAKE (R,L) TRIGO				Plan No.
				EP00370/ J
Scale: 1:1	Drafted	Verified	Confirmed	
Date	10/01/2018	08/12/2023	08/12/2023	
Initials	AS	DR	AS	