

Left Side Depiced - With BI5 Armrest

Bill of Material			
No.	Plan	Article	Quantity
1	P00077546	2091254 (L)	1
	P00078473	2091354 (R)	1
2	D22	1907511	1
3	D22	1990648	2
4	M6x35 DIN912	2994634	2
5	M6 DIN986	2994059	2

NOTICE: THE INFORMATION CONTAINED ON THIS DRAWING IS PROPRIETARY TO VERMEIREN GROUP AND SHALL NOT BE DISCLOSED IN WHOLE OR IN PART, OR USED FOR ANY DESIGN OR MANUFACTURE, EXCEPT WHEN SUCH USER POSSESSES DIRECT WRITTEN AUTHORISATION FROM VERMEIREN GROUP.

Sheet 1/2

---

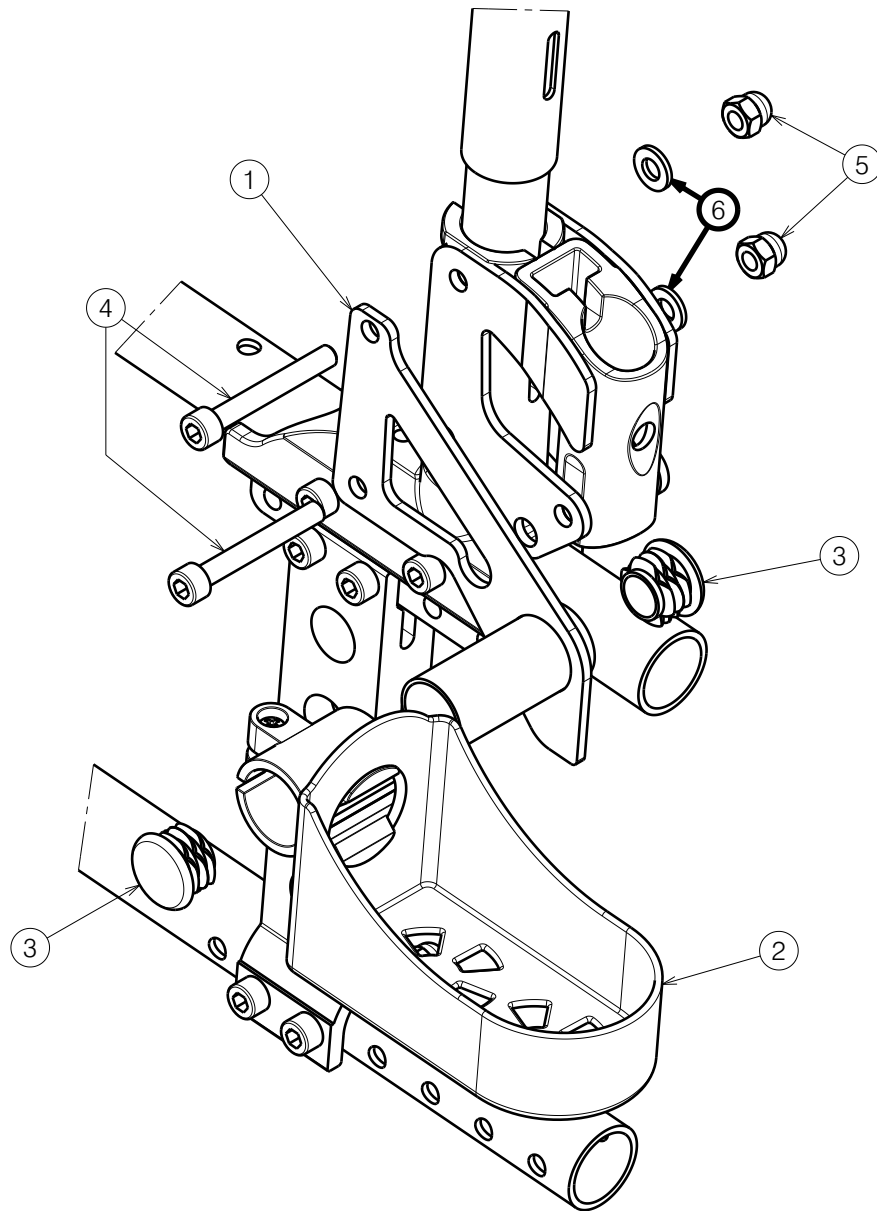
## VERSO B31 CRUTCH CARRIER

Plan No.

E00079628/B.1

Scale:	1:2	Drafted	Verified	Confirmed
Date	11/04/2024	25/04/2024	25/04/2024	
Initials	SD	PM	MK	





Left Side Depiced - With B02/B03 Armrest

Bill of Material			
No.	Plan	Article	Quantity
1	P00078473	2091354 (L)	1
	P00077546	2091254 (R)	1
2	D22	1907511	1
3	D22	1990648	2
4	M6x45 DIN912	2994058	2
5	M6 DIN986	2994059	2
6	M6 DIN125	2994414	2

NOTICE: THE INFORMATION CONTAINED ON THIS DRAWING IS PROPRIETARY TO VERMEIREN GROUP AND SHALL NOT BE DISCLOSED IN WHOLE OR IN PART, OR USED FOR ANY DESIGN OR MANUFACTURE, EXCEPT WHEN SUCH USER POSSESSES DIRECT WRITTEN AUTHORISATION FROM VERMEIREN GROUP.

Sheet 2/2

---

### VERSO B31 CRUTCH CARRIER

Plan No.

E00079628/B.1

Scale:	1:2	Drafted	Verified	Confirmed
Date	11/04/2024	25/04/2024	25/04/2024	
Initials	SD	PM	MK	

