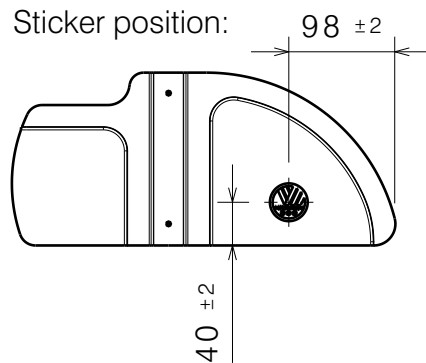
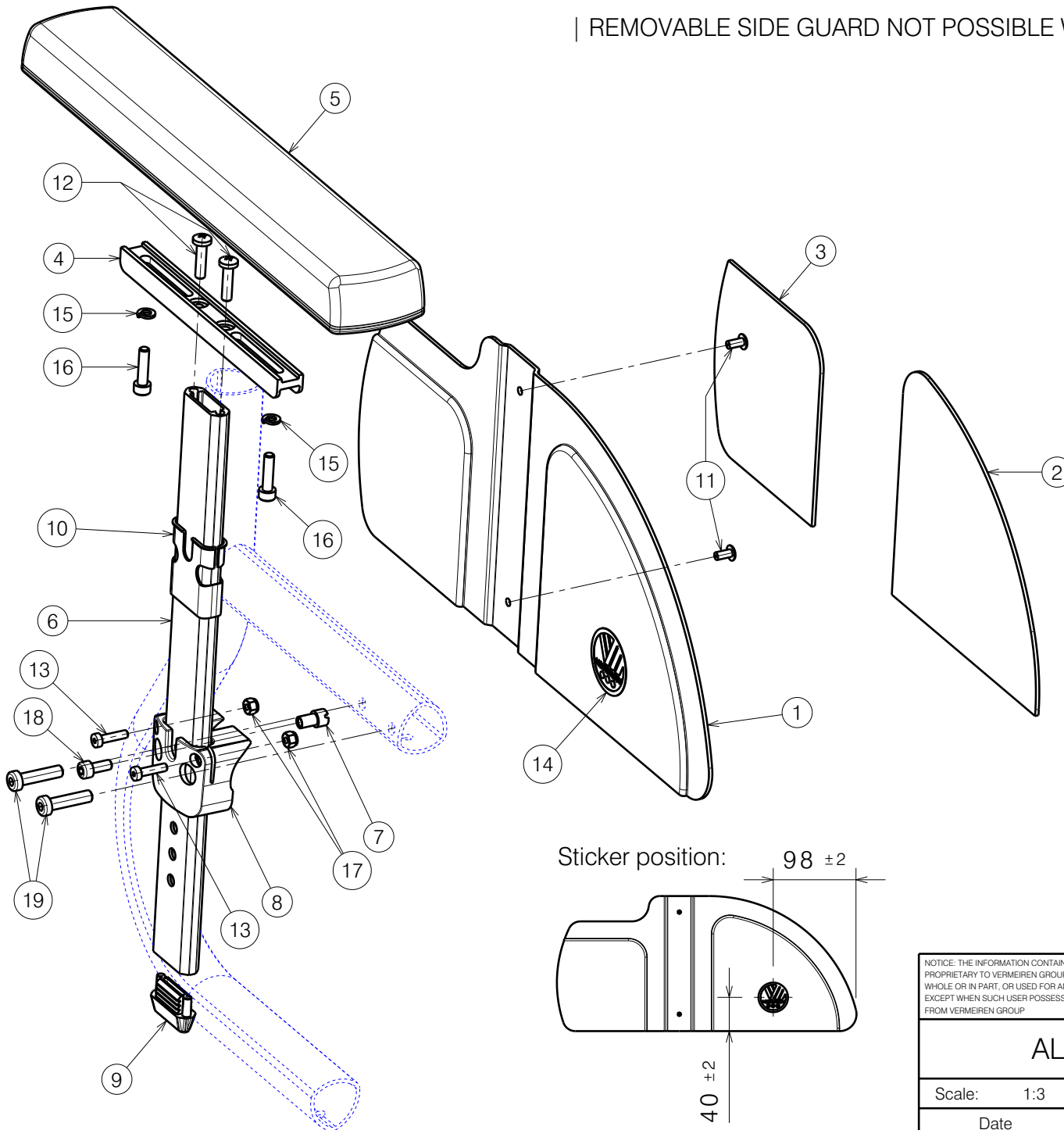
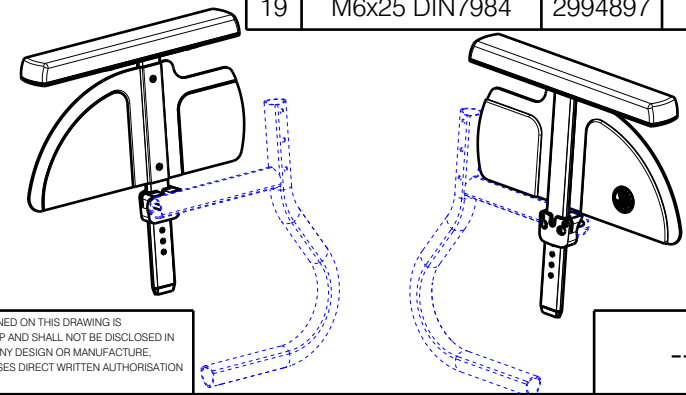


| REMOVABLE SIDE GUARD NOT POSSIBLE WITH CAMBER 6



* - only right side depicted

No.	Plan	Article	Qty
1	P00056793 (R)	2676265	1
	P00058837 (L)	2676365	1
2	P00058352	2997837	1
3	P00058353	2997838	1
4	X005517	2014999	1
5	X005519	1911778	1
6	X005561	2021699	1
7	XP02501	GP18200	1
8	XP03056	GP23226	1
9	XP03080	2996656	1
10	XP03083	2996657	1
11	River 4x8 DIN7337A	1992805	2
12	M5x16 DIN7985	3991136	2
13	M4x16 DIN7984	2994070	2
14	Sticker Vermeiren	T001002	1
15	M5 DIN127B	1906561	2
16	M5x20 DIN912	1003907	2
17	M4 DIN985	1001678	2
18	M5x12 DIN912	2994072	1
19	M6x25 DIN7984	2994897	2



NOTICE: THE INFORMATION CONTAINED ON THIS DRAWING IS PROPRIETARY TO VERMEIREN GROUP AND SHALL NOT BE DISCLOSED IN WHOLE OR IN PART, OR USED FOR ANY DESIGN OR MANUFACTURE, EXCEPT WHEN SUCH USER POSSESSES DIRECT WRITTEN AUTHORISATION FROM VERMEIREN GROUP.

ALU BI5 LARGE / TRIGO 38-50				---
				Plan No. E00058844/B1.1
Scale: 1:3	Drafted	Verified	Confirmed	
Date	25.04.2023	27/05/2024	27/05/2024	
Initials	AZ	PM	AS	