

NOTICE: THE INFORMATION CONTAINED ON THIS DRAWING IS PROPRIETARY TO VERMEIREN GROUP AND SHALL NOT BE DISCLOSED IN WHOLE OR IN PART, OR USED FOR ANY DESIGN OR MANUFACTURE, EXCEPT WHEN SUCH USER POSSESSES DIRECT WRITTEN AUTHORISATION FROM VERMEIREN GROUP.

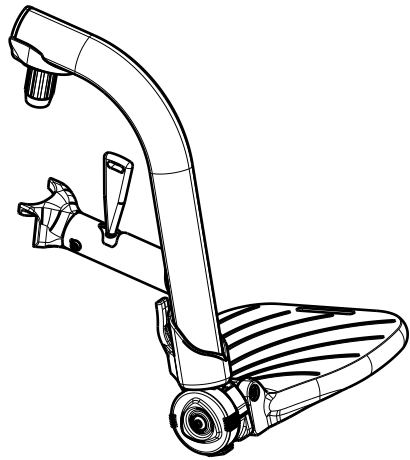
---

### FOOTREST BA6 TRIGO

Plan No.  
EP00412/F

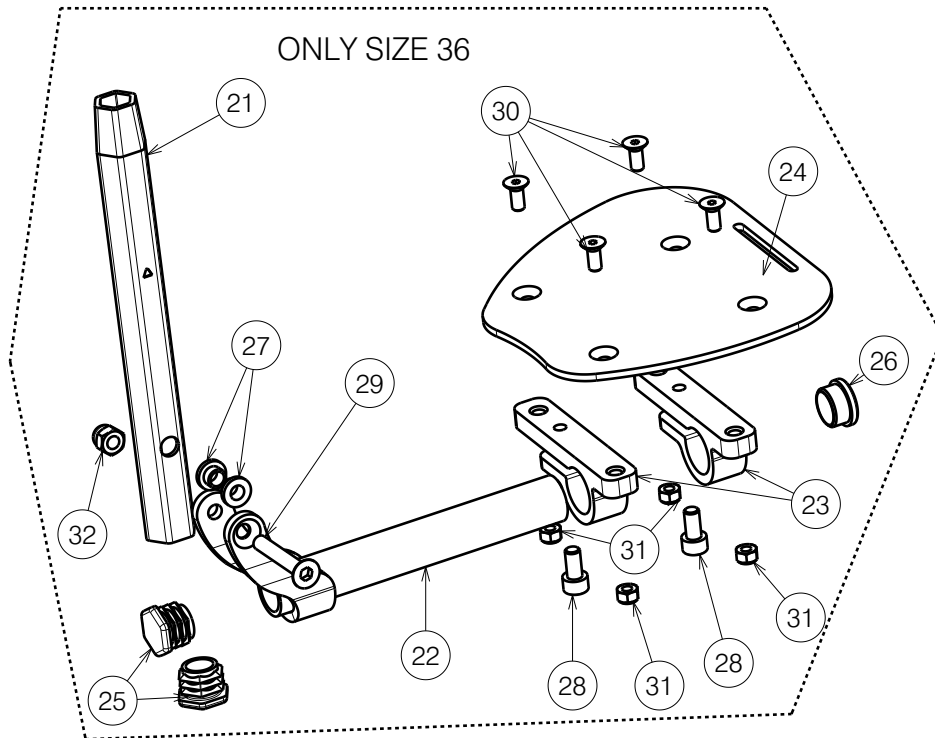
Scale:	1:3	Drafted	Verified	Confirmed
Date	28.06.2019	22.01.2026	22.01.2026	
Initials	AS	PM	AS	





Material			
No.	Plan	Article	Quantity
21	YP06246	2796026	1
22	YP06254(R)	2796665	1
	YP06893(L)	2765665	1
23	XP01504	GP07699	2
24	YP06256(R)	2796754	1
	YP06257(L)	2796854	1
25	X004774	1906056	2
26	Cap D19	1001602	1
27	XP01127	2990164	2
28	M6x12 DIN912	2994005	2
29	M6x40 DIN7991	2994123	1
30	M5x12 DIN7991	2994076	4
31	M5	2994006	4
32	M6	2994059	1

Material			
No.	Plan	Article	Quantity
1	YP07495	27711..(70)	1
	YP07496	27710..(80)	1
	YP07497	27712..(90)	1
2	XP02608	2994398	1
3	XP01546	2993452	1
4	XP01565	2993472	1
5	XP02030	GP14499	1
6	XP01512	2993454	1
7	XP01628	GP09100	1
8	XP01523	GP08000	1
* 9	XP02026	2993662	1
* 10	XP02025	2993661	1
* 11	XP01655(L)	2993501(38-40)	1
	XP01656(R)	2993502(38-40)	1
	XP01639(L)	2993475(42-44)	1
	XP01640(R)	2993476(42-44)	1
	XP01644(L)	2993480(46-48)	1
	XP01643(R)	2993479(46-48)	1
	XP01641(L)	2993477(50)	1
	XP01642(R)	2993478(50)	1
12	YP07499	2771399	1
13	Y016501	1733500	1
14	M6x12 DIN916	1005949	1
* 15	M6x40 DIN912	2994066	1
* 16	M6X45	2994086	1
* 17	M6	2994063	2
18	M6X25	2994062	1
19	M3.9x9.5	2992349	2
20	Belt	2994391	1



\* Only size 38-50

NOTICE: THE INFORMATION CONTAINED ON THIS DRAWING IS PROPRIETARY TO VERMEIREN GROUP AND SHALL NOT BE DISCLOSED IN WHOLE OR IN PART, OR USED FOR ANY DESIGN OR MANUFACTURE, EXCEPT WHEN SUCH USER POSSESSES DIRECT WRITTEN AUTHORISATION FROM VERMEIREN GROUP.

EP00412 / E

FOOTREST BA6 TRIGO

Plan No.

EP00412/F

Scale:	1:3	Drafted	Verified	Confirmed
Date	28.06.2019	22.01.2026	22.01.2026	
Initials	AS	PM	AS	

