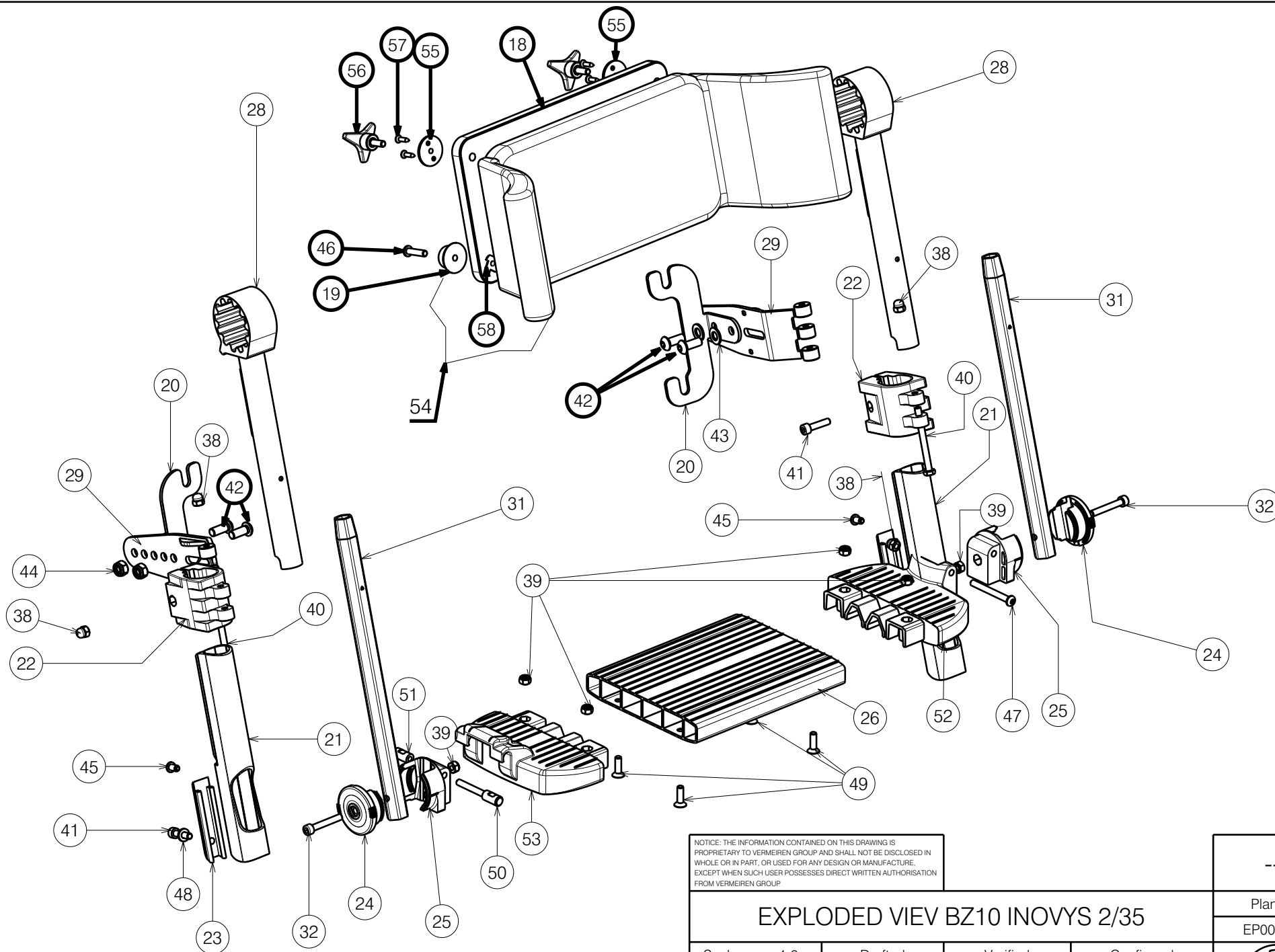


NOTICE: THE INFORMATION CONTAINED ON THIS DRAWING IS PROPRIETARY TO VERMEIREN GROUP AND SHALL NOT BE DISCLOSED IN WHOLE OR IN PART, OR USED FOR ANY DESIGN OR MANUFACTURE, EXCEPT WHEN SUCH USER POSSESSES DIRECT WRITTEN AUTHORISATION FROM VERMEIREN GROUP.


EXPLODED VIEW BZ10 INOVYS 2/35

Scale:	1:3	Drafted	Verified	Confirmed
Date	2021-08-12	31/01/2025	31/01/2025	
Initials	AS	PM	AS	

Plan No.
EP00590/E

NOTICE: THE INFORMATION CONTAINED ON THIS DRAWING IS PROPRIETARY TO VERMEIREN GROUP AND SHALL NOT BE DISCLOSED IN WHOLE OR IN PART, OR USED FOR ANY DESIGN OR MANUFACTURE, EXCEPT WHEN SUCH USER POSSESSES DIRECT WRITTEN AUTHORISATION FROM VERMEIREN GROUP.

EXPLODED VIEW BZ10 INOVYS 2/35				---
Scale:	1:3	Drafted	Verified	Confirmed
Date	2021-08-12	31/01/2025	31/01/2025	
Initials	AS	PM	AS	
				

Plan No.


EP00590/E



Bill of Material			
No.	Plan	Article	Quantity
1	X004665	1905744	2
2	X004710(R)	1905738	1
	X004701(L)	1905737	1
3	X004692	1906013	2
4	X004773	1905885	2
5	X004417	1719200	2
6	X004660	1905195	2
7	X004423	1717300	2
8	X005055	1908419	2
9	X005028	1772100	2
10	X005047	1908420	2
11	X004795	1905970	4
12	X005880	1915832	4
13	D4x24	1992597	2
14	X004690	1905735	2
15	X005046	G103800	2
16	X004713	1905734	2
17	X004742	1739500	4
18	XP03276	HP00709	1
19	X004861	1906454	2
20	YP09103(R)	2634554	1
	YP09104(L)	2634654	1
21	X004666	1905731	2
22	X004739	1905739	2
23	X004658	1904968	2
24	X004464	1904212	2
25	X004465	1904213	2
26	YP06471	2734932	1
27	X005025	1772000	2
28	YP09153	2636654	2
29	P00044872	2659754	2
30	Y018552(R)	1771554	1
	Y018551(L)	1771654	1
31	YP06404	2730199	1
32	M6x40	1003909	4
33	M6RT	1905500	4
34	M6x25 KT	1905501	4

Bill of Material			
No.	Plan	Article	Quantity
35	M5x10	1999977	4
36	M6x16	1994752	4
37	M5	1001679	2
38	M6	1008492	4
39	M6	1001680	6
40	M6x65 DIN931	1991860	2
41	M6x25 DIN912	1001494	4
42	M8x20	1915944	4
43	M8 DIN125	1001554	4
44	M8	1001682	4
45	X004687	1905639	2
46	M6x25	1006998	2
47	M6x55	1997879	1
48	M6	1001564	2
49	M6x20	1903081	4
50	X004711	1736500	1
51	X004712	1736600	1
52	X004707	1905704	1
53	X004706	1905703	1
54	Air flow	2996948	1
	Soft black	2997936	1
	Soft mokka	2996951	1
	Cordura	2996952	1
55	X001052	G066600	2
56	M6x20	1009932	2
57	D3.9X16DIN7982	1005767	8
58	M6x10	1992516	2

NOTICE: THE INFORMATION CONTAINED ON THIS DRAWING IS PROPRIETARY TO VERMEIREN GROUP AND SHALL NOT BE DISCLOSED IN WHOLE OR IN PART, OR USED FOR ANY DESIGN OR MANUFACTURE, EXCEPT WHEN SUCH USER POSSESSES DIRECT WRITTEN AUTHORISATION FROM VERMEIREN GROUP.

EXPLODED VIEW BZ10 INOVYS 2/35				---
				Plan No. EP00590/E
Scale: 1:3	Drafted	Verified	Confirmed	
Date	2021-08-12	31/01/2025	31/01/2025	
Initials	AS	PM	AS	