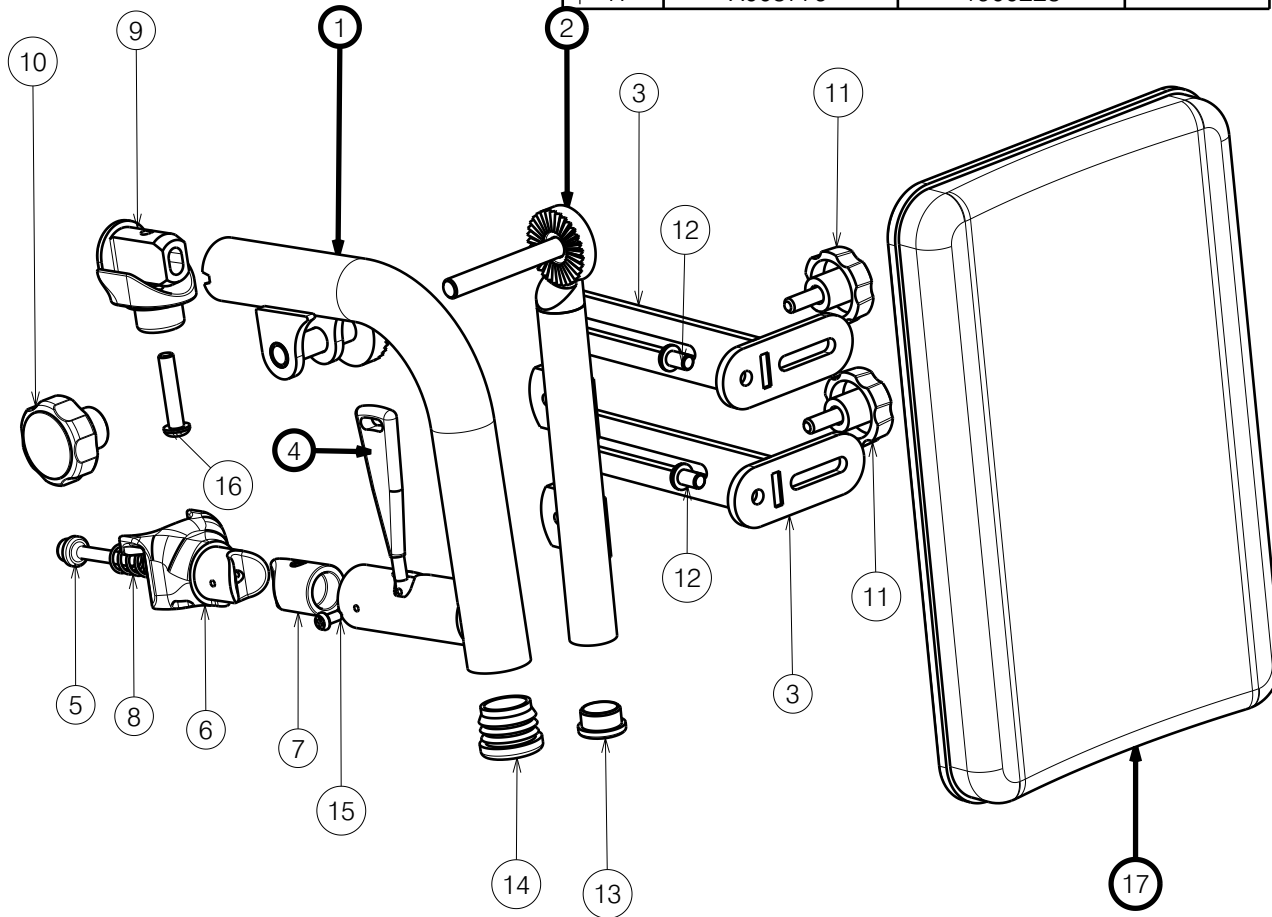


| Material (Frame 30-36) | | | |
|------------------------|---------|-------------|----------|
| No. | Plan | Article | Quantity |
| 1 | YP09133 | 2635754 (R) | 1 |
| | YP09137 | 2635754(L) | 1 |
| 2 | YP09139 | 2636345 (L) | 1 |
| | YP09149 | 2635954 (R) | 1 |
| 4 | XP02030 | GP14499 | 1 |
| 17 | X003779 | 1900228 | 1 |

| Material (Frame 36-50) | | | |
|------------------------|------------------|-------------|----------|
| No. | Plan | Article | Quantity |
| 1 | YP08525 | 2624454 (R) | 1 |
| | YP08526 | 2624554 (L) | 1 |
| 2 | YP08093 | 2607354 (L) | 1 |
| | YP08094 | 2607454 (R) | 1 |
| 3 | YP08095 | 2607554 | 4 |
| 4 | XP01513 | GP08699 | 2 |
| 5 | XP01523 | GP08000 | 2 |
| 6 | XP01546 | 2993452 | 2 |
| 7 | XP01565 | 2993472 | 2 |
| 8 | XP01628 | GP09100 | 2 |
| 9 | XP03098 | 2996719 | 2 |
| 10 | Plastic Head Ø35 | 1998550 | 2 |
| 11 | M6x15 | 1001577 | 4 |
| 12 | M6x10 | 1900641 | 4 |
| 13 | Tube cap Ø19 | 1001602 | 2 |
| 14 | Tube cap Ø25,4 | 1001608 | 2 |
| 15 | SCREWD3.5X9.5 | 2994075 | 4 |
| 16 | M6x30 | 1009588 | 2 |
| | Plate small | 1002163 | 2 |
| 17 | Plate large | 1002158 | 2 |



Right side only depicted, quantities are for 1 pair

EP00545 / B

| | | | | |
|------------------------|------------|------------|------------|---|
| <h1>TRIGO BK7/BL7</h1> | | | | Plan No. |
| | | | | EP00545/ B |
| Scale: 1:3 | Drafted | Verified | Confirmed |  |
| Date | 30/10/2020 | 14/07/2021 | 14/07/2021 | |
| Initials | AS | PM | TK | |