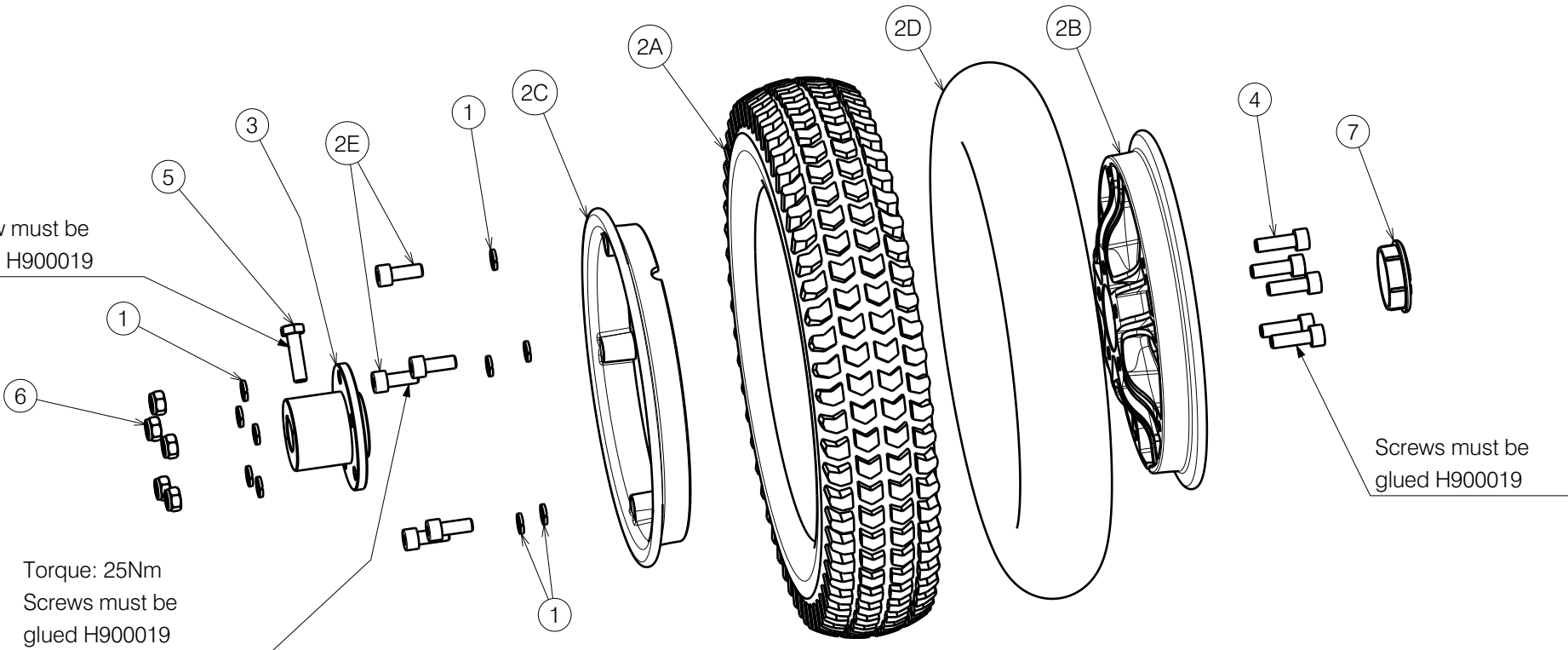


Screw must be glued H900019




Torque: 25Nm  
Screws must be glued H900019

Screws must be glued H900019

No.	Plan	Article	Qty
1	-	1917729	10
2	-	3992790	1
2A	Tyre	1905403	1
2B	X005469	2011804	1
2C	X005470	2011904	1
2D	-	1006903	1
2E	M8x20	3991197	5
3	XC00187	1C26800	1
4	M8x25	3991096	5
5	M8x30	1001443	1
6	Nut M8	3991743	5
7	X005083	1908680	1

Assembly on Tool P610005.

NOTICE: THE INFORMATION CONTAINED ON THIS DRAWING IS PROPRIETARY TO VERMEIREN GROUP AND SHALL NOT BE DISCLOSED IN WHOLE OR IN PART, OR USED FOR ANY DESIGN OR MANUFACTURE, EXCEPT WHEN SUCH USER POSSESSES DIRECT WRITTEN AUTHORISATION FROM VERMEIREN GROUP.

CARPO SE BACK WHEEL SET RIGHT				Plan No.
				EC00296/K
Scale: 1:4	Drafted	Verified	Confirmed	
Date	02/07/2021	19/09/2024	19/09/2024	
Initials	AZ	PM	MK	