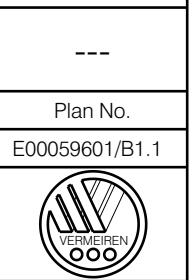
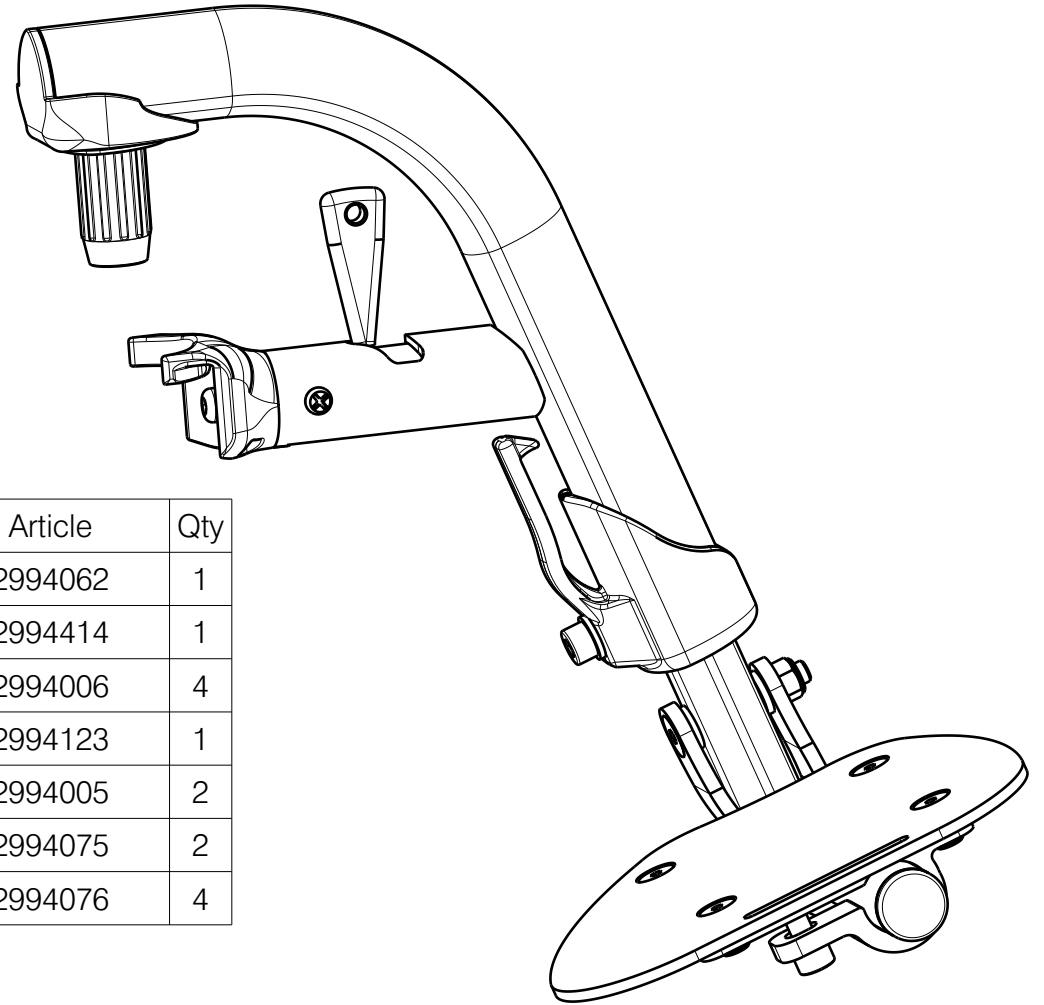


NOTICE: THE INFORMATION CONTAINED ON THIS DRAWING IS PROPRIETARY TO VERMEIREN GROUP AND SHALL NOT BE DISCLOSED IN WHOLE OR IN PART, OR USED FOR ANY DESIGN OR MANUFACTURE, EXCEPT WHEN SUCH USER POSSESSES DIRECT WRITTEN AUTHORISATION FROM VERMEIREN GROUP.

| | | | | |
|-------------------------------|------------|------------|------------|----------------|
| FOOTREST B06F / 30-36 / TRIGO | | | | Plan No. |
| | | | | E00059601/B1.1 |
| Scale: 1:3 | Drafted | Verified | Confirmed | 1/2 |
| Date | 12.05.2023 | 20/05/2024 | 20/05/2024 | |
| Initials | AZ | AZ | AS | |




| No. | Plan | Article | Qty |
|-----|---------------|-----------------|-----|
| 1 | P00058361 (S) | 2676726 | 1 |
| | P00059786 (L) | 2676826 | 1 |
| 2 | M6x35 DIN912 | 2994634 | 1 |
| 3 | P00058850 | 2676600 | 1 |
| 4 | YP06178 | 27291... (70) | 1 |
| | YP06291 | 27998... (80) | 1 |
| | YP06182 | 27292... (90) | 1 |
| 5 | YP06229 (R) | 2796365 (30-32) | 1 |
| | YP06126 (L) | 2729965 (30-32) | 1 |
| | YP06254 (R) | 2796665 (34-36) | 1 |
| | YP06893 (L) | 2765665 (34-36) | 1 |
| 6 | YP06231 (R) | 2796454 (30-32) | 1 |
| | YP06232 (L) | 2796554 (30-32) | 1 |
| | YP06256 (R) | 2796754 (34-36) | 1 |
| | YP06257 (L) | 2796854 (34-36) | 1 |
| 7 | X004774 | 1906056 | 2 |
| 8 | XP01127 | 2990164 | 2 |
| 9 | XP01504 | GP07699 | 2 |
| 10 | XP01512 | 2993454 | 1 |
| 11 | XP01523 | GP08000 | 1 |
| 12 | XP01542 | 2993471 | 1 |
| 13 | XP01546 | 2993452 | 1 |
| 14 | XP01565 | 2993472 | 1 |
| 15 | XP01628 | GP09100 | 1 |
| 16 | XP02030 | GP14499 | 1 |
| 17 | Cap D19 | 1001602 | 1 |
| 18 | M6 DIN986 | 2994059 | 1 |
| 19 | B18 (30-36) | 2994200 | 1 |



| No. | Plan | Article | Qty |
|-----|----------------|---------|-----|
| 20 | M6x25 ISO7380 | 2994062 | 1 |
| 21 | D6,4 DIN125 | 2994414 | 1 |
| 22 | M5 DIN985 | 2994006 | 4 |
| 23 | M6x40 DIN7991 | 2994123 | 1 |
| 24 | M6x12 DIN912 | 2994005 | 2 |
| 25 | Screw D3.5x9.5 | 2994075 | 2 |
| 26 | M5x12 DIN7991 | 2994076 | 4 |

Only for depth: 30-36
For depth 38-50 use E00059605

NOTICE: THE INFORMATION CONTAINED ON THIS DRAWING IS PROPRIETARY TO VERMEIREN GROUP AND SHALL NOT BE DISCLOSED IN WHOLE OR IN PART, OR USED FOR ANY DESIGN OR MANUFACTURE, EXCEPT WHEN SUCH USER POSSESSES DIRECT WRITTEN AUTHORISATION FROM VERMEIREN GROUP.

| | | | | |
|-------------------------------|------------|------------|------------|---------------------------------------------------------------------------------------|
| FOOTREST B06F / 30-36 / TRIGO | | | | --- |
| | | | | Plan No. E00059601/B1.1 |
| Scale: 1:3 | Drafted | Verified | Confirmed |  |
| Date | 12.05.2023 | 20/05/2024 | 20/05/2024 | |
| Initials | AZ | AZ | AS | |