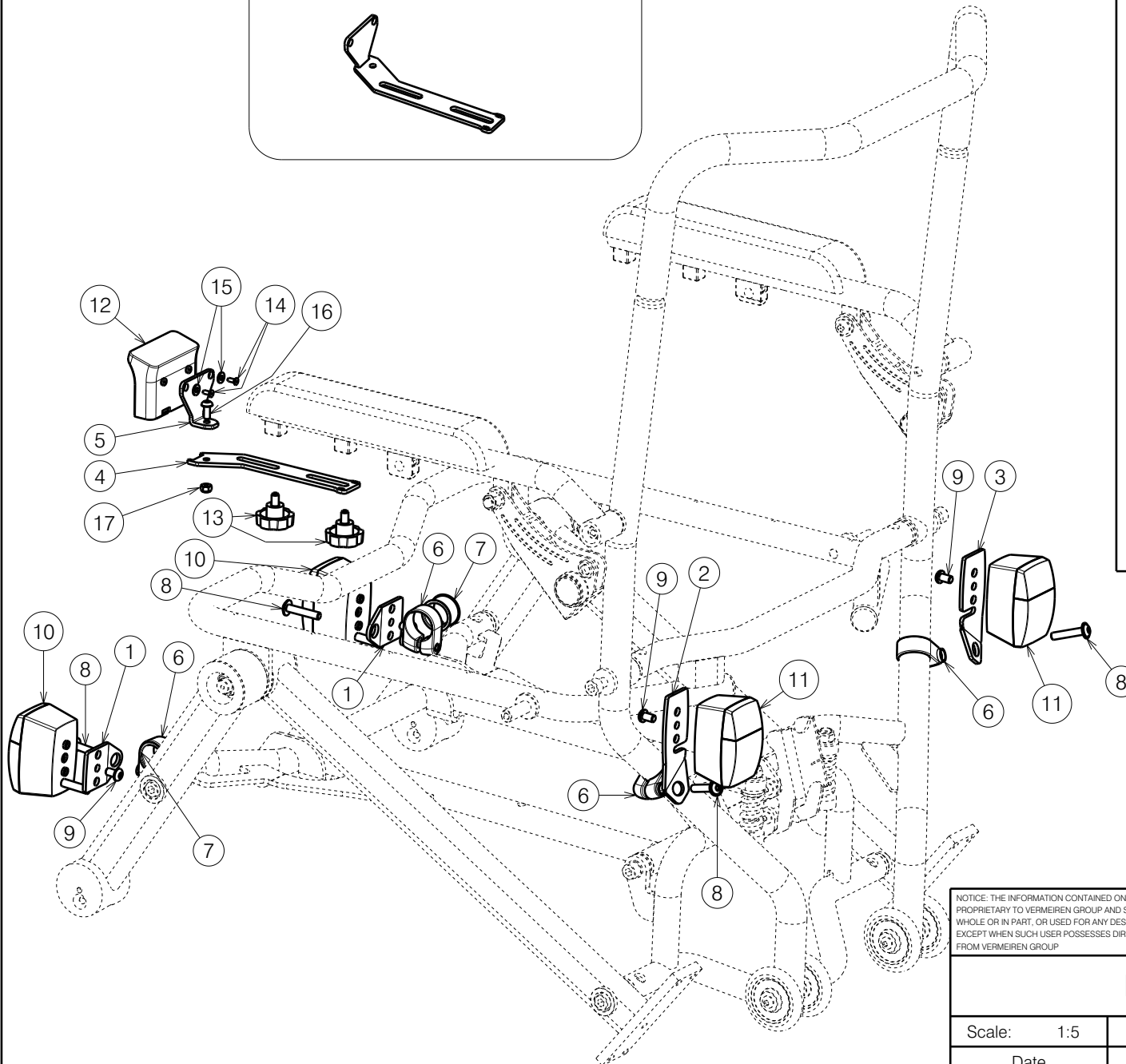
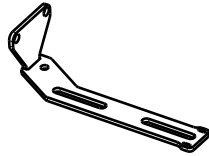
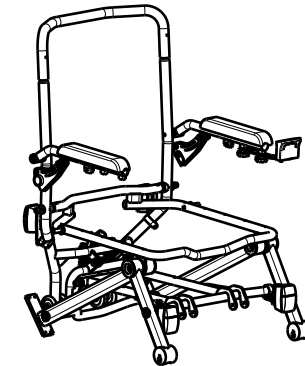


Way of assembly 26932 & 26933
for right-hand use:



Bill of Material			
No.	Plan	Article	Quantity
1	P00084924	2692765	2
2	P00084923	2693065	1
3	P00084928	2693165	1
4	P00084930	2693265	1
5	P00084932	2693365	1
6	XP01976	2993641	4
7	XP01980	2993813	2
8	M6X30	2994294	4
9	M6X10	2994127	4
10	Front Light	1914551	2
11	Rear Light	1914550	2
12	Light Controller	1915936	1
13	Star Knob M6x10	1003658	2
14	M3x8	2990309	2
15	Washer M4	1003303	2
16	M5x12	2993078	1
17	Nut M5	2994006	1
18	E cable lights	2995293	1
19	Cable Shoe Red	2991563	6

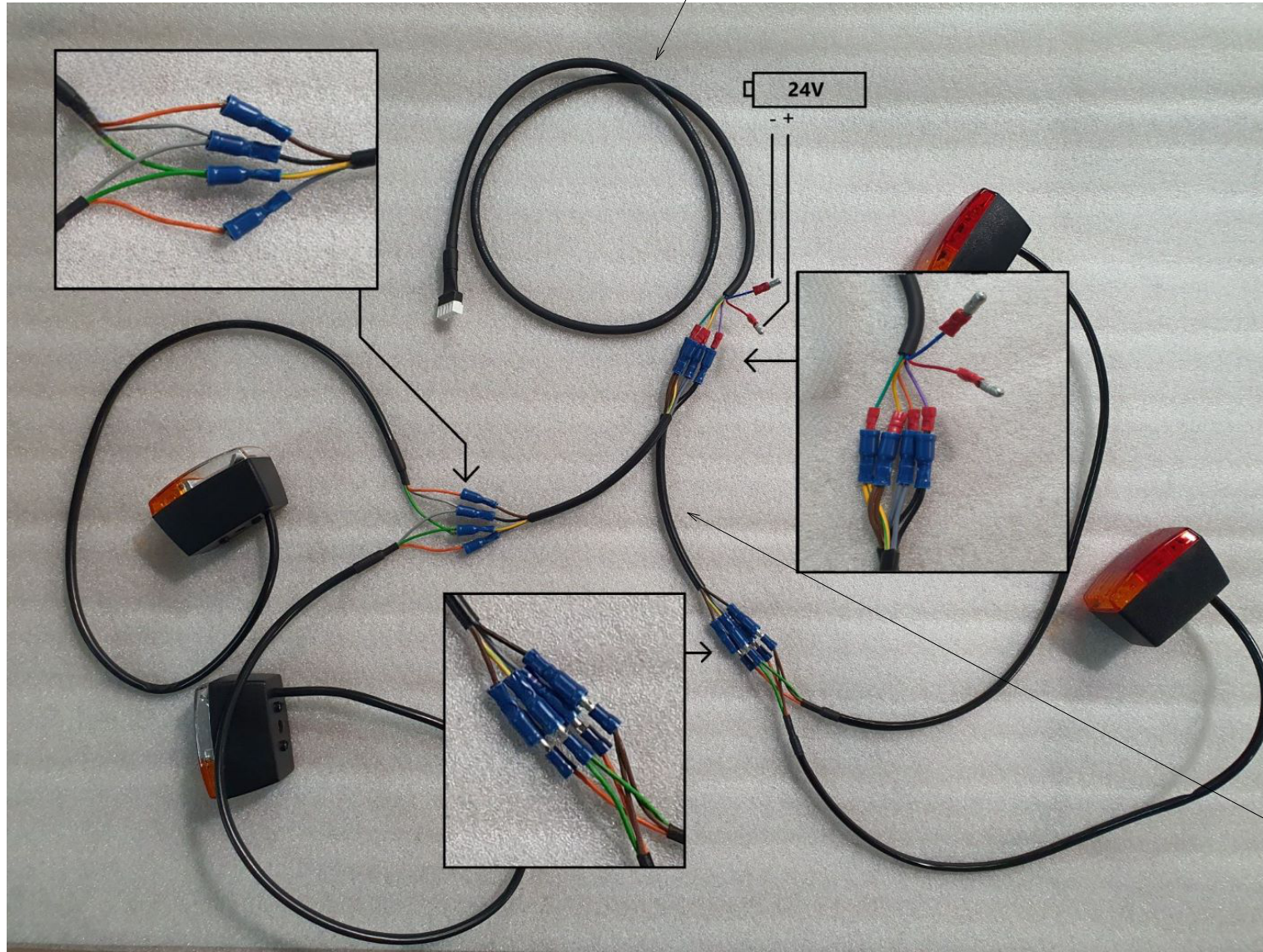
Use 2995295 as 1915936 (No.12) + 2991563 (No.19)



NOTICE: THE INFORMATION CONTAINED ON THIS DRAWING IS PROPRIETARY TO VERMEIREN GROUP AND SHALL NOT BE DISCLOSED IN WHOLE OR IN PART, OR USED FOR ANY DESIGN OR MANUFACTURE, EXCEPT WHEN SUCH USER POSSESSES DIRECT WRITTEN AUTHORISATION FROM VERMEIREN GROUP.

PLEGO SE19 LIGHTS				Plan No.
				E00084934/A.1
Scale: 1:5	Drafted	Verified	Confirmed	
Date	16/09/2024	16/09/2024	16/09/2024	
Initials	DR	WM	AS	

2995295



NOTICE: THE INFORMATION CONTAINED ON THIS DRAWING IS PROPRIETARY TO VERMEIREN GROUP AND SHALL NOT BE DISCLOSED IN WHOLE OR IN PART, OR USED FOR ANY DESIGN OR MANUFACTURE, EXCEPT WHEN SUCH USER POSSESSES DIRECT WRITTEN AUTHORISATION FROM VERMEIREN GROUP.

PLEGO SE19 LIGHTS			
Scale:	Drafted	Verified	Confirmed
Date	16/09/2024	16/09/2024	16/09/2024
Initials	DR	WM	AS

-
Plan No. E00084934/A.1
