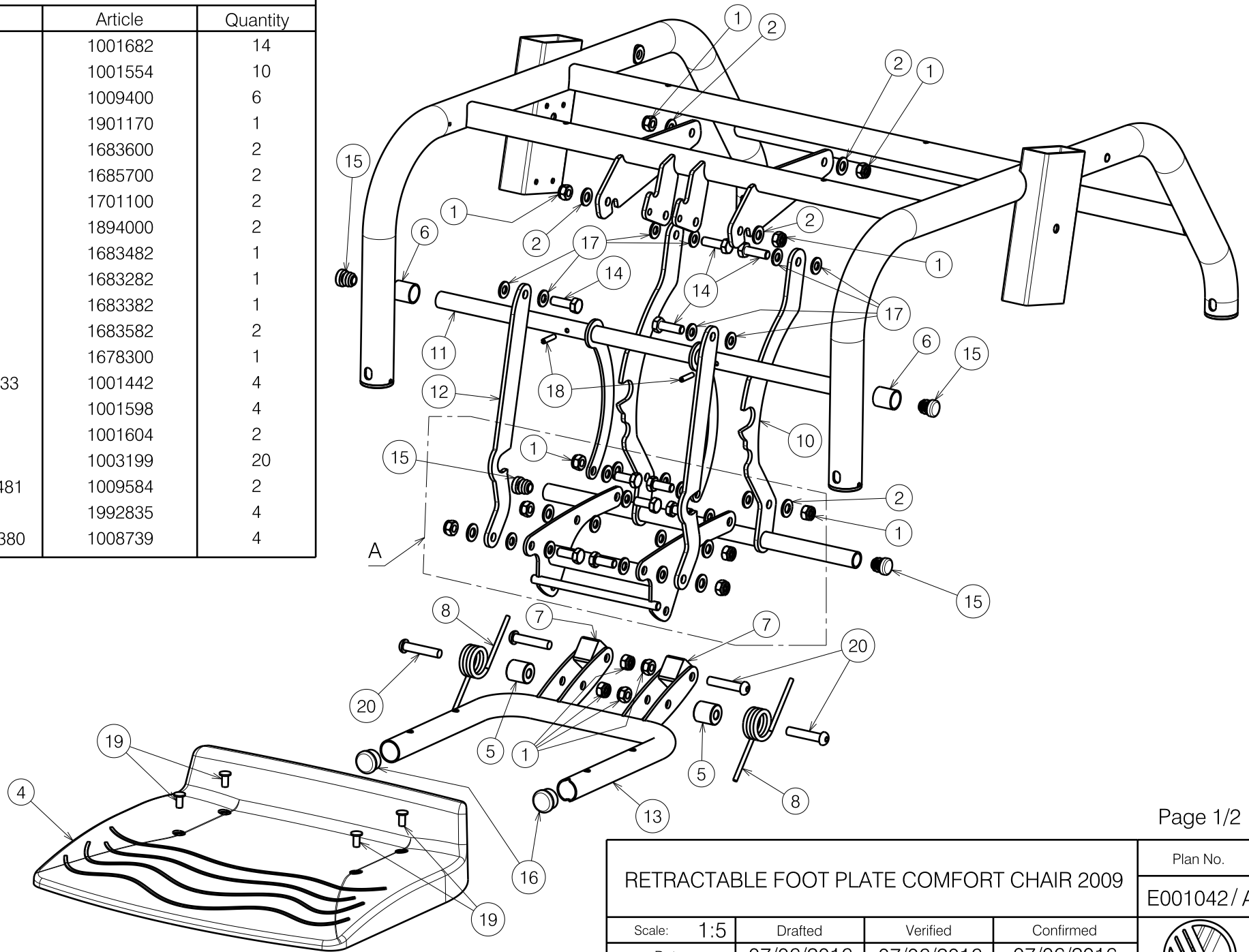

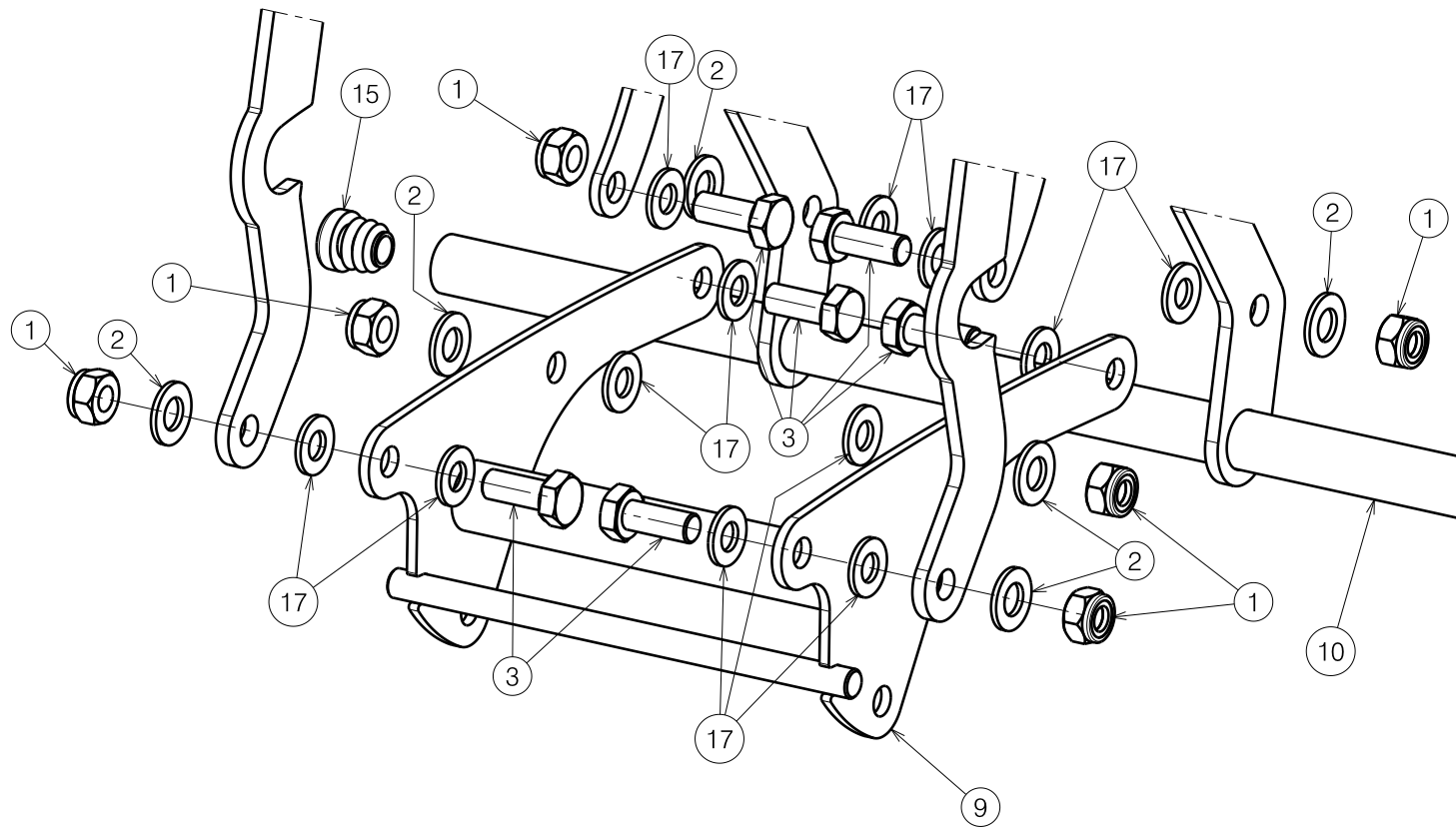


Material			
No.	Plan	Article	Quantity
1	X001016	1001682	14
2	X001119	1001554	10
3	X003827	1009400	6
4	X003903	1901170	1
5	X004034	1683600	2
6	X004038	1685700	2
7	X004198	1701100	2
8	XP00144	1894000	2
9	Y012124	1683482	1
10	Y012657	1683282	1
11	Y012658	1683382	1
12	Y012851	1683582	2
13	Y013065	1678300	1
14	M8X25 DIN 933	1001442	4
15	Ø16	1001598	4
16	Ø22	1001604	2
17	M8 DIN 125	1003199	20
18	Ø4X20 DIN 1481	1009584	2
19	Ø6	1992835	4
20	M8x40 ISO 7380	1008739	4



RETRACTABLE FOOT PLATE COMFORT CHAIR 2009				Plan No. E001042 / A
Scale: 1:5	Drafted	Verified	Confirmed	
Date	07/06/2016	07/06/2016	07/06/2016	
Initials	SD	SD	PJ	



Detail A

E001042 / A

RETRACTABLE FOOT PLATE COMFORT CHAIR 2009				Plan No. E001042 / A
Scale: 1:5	Drafted	Verified	Confirmed	
Date	07/06/2016	07/06/2016	07/06/2016	
Initials	SD	SD	PJ	