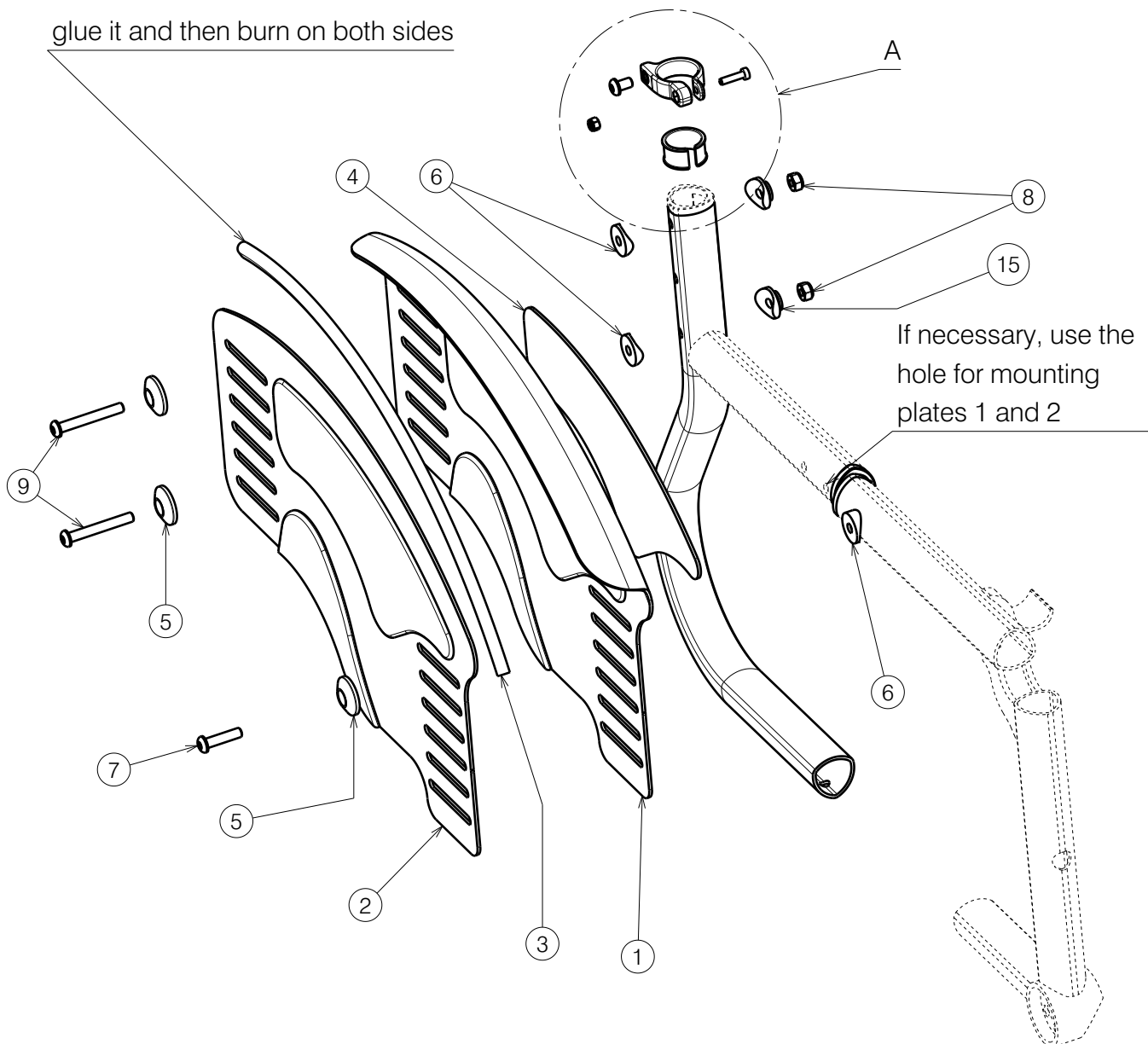
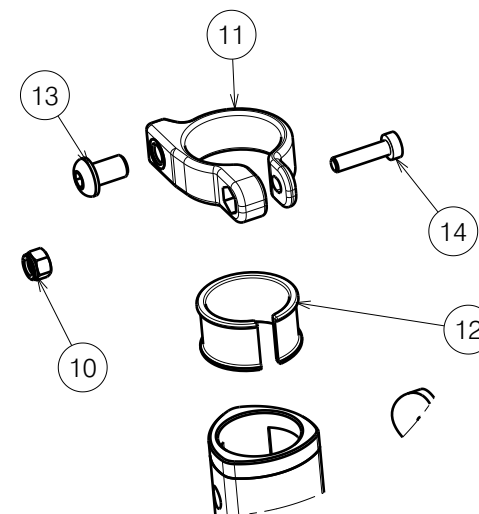


glue it and then burn on both sides



Bracelet used for mounting armrest in higher position




Detail A
Scale: 1:2

Drawings shows only right side

| For assembling use document S-PL.40.06

EP00570 / D

Page 1/3				Plan No.
B82 CLOTHING PROCTOR TRIGO				EP00570/ D
Scale: 1:4	Drafted	Verified	Confirmed	
Date	9/02/2021	19/08/2022	19/08/2022	
Initials	AS	AZ	TK	

Material						1a LARGE **		2a LARGE **	
No.	Plan	Article	Quantity						
** 1a	YP05792 (R)	27250..	1						
	YP05793 (L)	27251..	1						
1b	YP07171 (R)	27596..	1						
	YP07170 (L)	27597 ..	1						
** 1c	XP01987(R)carbon	2993900	1						
	XP02052(L)carbon	2993682	1						
1d	XP03342(R)carbon	2997129	1						
	XP03343(L)carbon	2997128	1						
** 2a	YP05789 (R)	27247..	1						
	YP05790 (L)	27859..	1						
2b	YP06352(R)	27988..	1						
	YP06353(L)	27989..	1						
** 2c	XP01943(R)carbon	2993617	1			1b SMALL		2b SMALL	
	XP01940(L)carbon	2993614	1						
2d	XP03338(R)carbon	2997395	1						
	XP03339(L)carbon	2997394	1						
3	---	1003299	0,9m						
4	XP02278	2996471	1						
5	XP00366	2990331	3						
6	XP01560	2993561	5						
7	M6x25	2994062	1						
8	M6	2994063	2						
9	M6x45	2994086	2						
	M6x55	2994376	2						
10	M4	1001678	1						
11	XP02043	2993671	1						
12	XP02042	2993672	1						
13	M6x10	2994127	1						
14	M4x16	2994070	1						
15	M6	2994414	2						
				1d CARBON SMALL		1c CARBON **		2c CARBON **	
				2d CARBON SMALL					
** Don't use for frame 30-36.									
For assembling use document S-PL.40.06									
EP00570 / D									
						Page 2/3		Plan No.	
						B82 CLOTHING PROCTOR TRIGO		EP00570/ D	
						Scale: 1:4		Drafted	
						Date		19/08/2022	
						Initials		AS	
						Verified		AZ	
						Confirmed		TK	

SEAT HEIGHT REAR																						
	315	325	335	345	355	365	375	385	395	405	415	425	435	445	455	465	475	485	495	505	515	525
18"			2	3	4	5	6	7	8	9	10	11	12									
20"			1	2	3	4	5	6	7	8	9	10	11	12								
22"					1	2	3	4	5	6	7	8	9	10	11	12						
24"								1	2	3	4	5	6	7	8	9	10	11	12			
26"											1*	2*	3*	4	5	6	7	8	9	10	11	12

* Use 2 Bracelet XP02043

SMALL	27988../27989..	no possible 15mm
LARGE	27247../27859..	no possible 15mm
SMALL MUDGUARD	27596../27597..	no possible 15mm
LARGE MUDGUARD	27250../27250..	no possible 15mm

| For assembling use document S-PL.40.06

EP00570 / D

Page 3/3				Plan No.
B82 CLOTHING PROCTOR TRIGO				EP00570/ D
Scale: 1:4	Drafted	Verified	Confirmed	
Date	9/02/2021	19/08/2022	19/08/2022	
Initials	AS	AZ	TK	