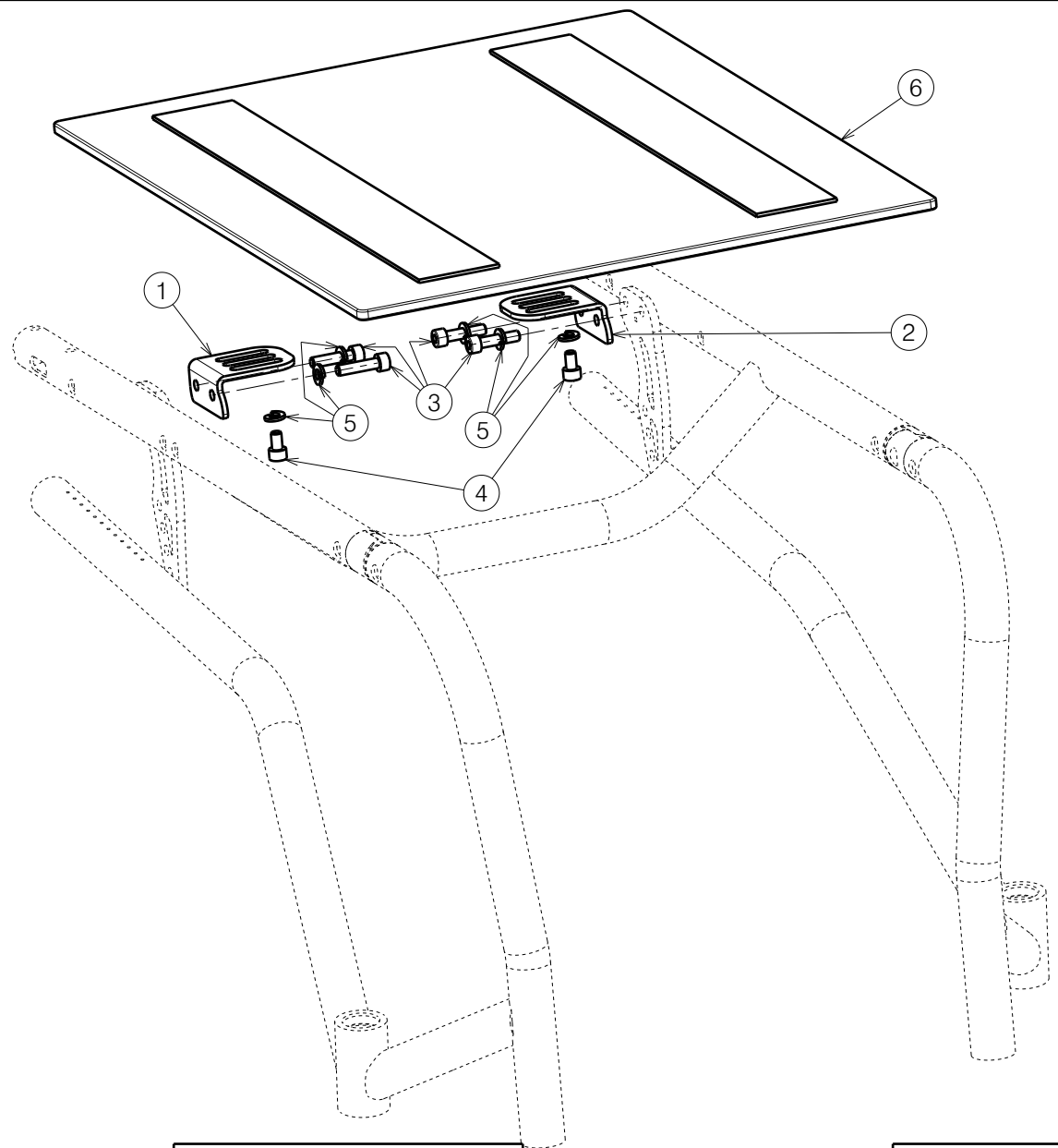


Bill of Material			
No.	Plan	Article	Quantity
1	P00070177	2684554	1
2	P00067685	2684454	1
3	M6X25 DIN912	2996887	1
4	M6X10 DIN912	1001491	1
5	M6 DIN127	1004414	6
LONG			
WIDTH 36			
6	A00074517	2998259 D50	1
		2998260 D52,5	1
		2998261 D55	1
		2998262 D57,5	1
		2998263 D60	1
		2998264 D65	1
WIDTH 38			
6	A00074517	2998265 D50	1
		2998266 D52,5	1
		2998267 D55	1
		2998268 D57,5	1
		2998269 D60	1
		2998270 D65	1
WIDTH 40			
6	A00074517	2998271 D50	1
		2998272 D52,2	1
		2998273 D55	1
		2998274 D57,5	1
		2998275 D60	1
		2998276 D65	1
WIDTH 42			
6	A00074517	2998277	1
		2998278	1
		2998279	1
		2998280	1
		2998281	1
		2998282	1



NOTICE: THE INFORMATION CONTAINED ON THIS DRAWING IS PROPRIETARY TO VERMEIREN GROUP AND SHALL NOT BE DISCLOSED IN WHOLE OR IN PART, OR USED FOR ANY DESIGN OR MANUFACTURE, EXCEPT WHEN SUCH USER POSSESSES DIRECT WRITTEN AUTHORISATION FROM VERMEIREN GROUP.


				--
L16 SAGITTA SI				Plan No.
				E00074517/A.1
Scale:	1:4	Drafted	Verified	Confirmed
Date	2024-01-15	24/01/2024	24/01/2024	
Initials	AS	AZ	AZ	



LONG			
WIDTH 44			
6	A00074517	2998283 D50	1
		2998284 D52,5	1
		2998285 D55	1
		2998286 D57,5	1
		2998287 D60	1
		2998288 D65	1
WIDTH 46			
6	A00074517	2998289 D50	1
		2998290 D52,5	1
		2998291 D55	1
		2998292 D57,5	1
		2998293 D60	1
		2998294 D65	1
LOW			
WIDTH 36			
6	A00074517	2998295 D57,5	1
		2998296 D60	1
		2998297 D65	1
WIDTH 38			
6	A00074517	2998298 D57,5	1
		2998299 D60	1
		2998300 D65	1
WIDTH 40			
6	A00074517	2998301 D57,5	1
		2998302 D60	1
		2998303 D65	1
WIDTH 42			
6	A00074517	2998304 D57,5	1
		2998305 D60	1
		2998306 D65	1

LOW			
WIDTH 44			
6	A00074517	2998307 D57,5	1
		2998308 D60	1
		2998309 D65	1
WIDTH 46			
6	A00074517	2998310 D57,5	1
		2998311 D60	1
		2998312 D65	1

NOTICE: THE INFORMATION CONTAINED ON THIS DRAWING IS PROPRIETARY TO VERMEIREN GROUP AND SHALL NOT BE DISCLOSED IN WHOLE OR IN PART, OR USED FOR ANY DESIGN OR MANUFACTURE, EXCEPT WHEN SUCH USER POSSESSES DIRECT WRITTEN AUTHORISATION FROM VERMEIREN GROUP.

--
Plan No.
E00074517/A.1


L16 SAGITTA SI			
Scale:	1:4	Drafted	Verified
Date	2024-01-15	17/01/2024	17/01/2024
Initials	AS	AZ	AZ